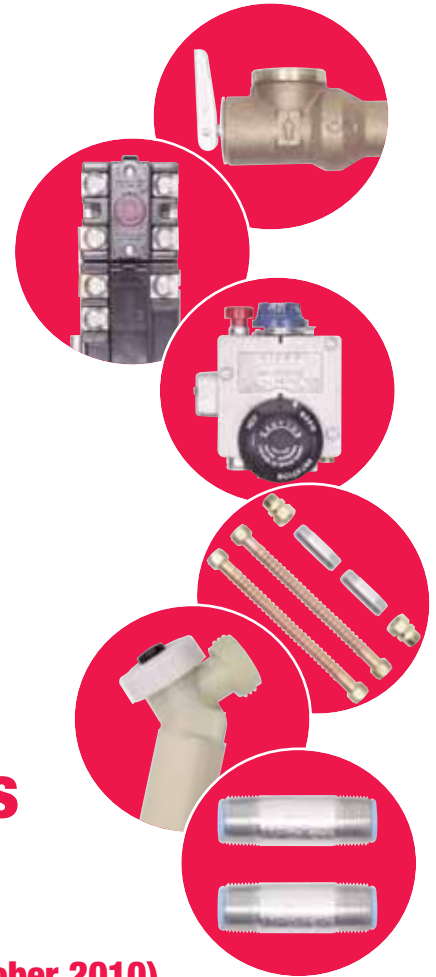


REPLACEMENT PARTS LIST PRICE BOOK

**Effective with Shipments
October 1, 2010**

#NSBPB00209 (Revised for October 2010)



www.americanwaterheater.com

Ordering Terms and Conditions

Parts listed represent the most common replacement items required for servicing and installing residential, commercial, and Polaris® water heaters. A repair parts illustration and parts list for each water heater can be found in the installation manual. Dimensions and specifications are subject to change without notice in accordance with our policy of continuous product improvement. Individual part numbers may be discontinued without prior notice.

General Order Information

Order by part number and description. Minimum order: \$50.00 list (\$25.00 net). All parts prices shown are list prices. For parts not listed, contact the Product Service and Support Department at 1-800-999-9515. For availability, price, and delivery, call 1-800-937-1037.

Acceptance of Orders

Possession of this price list does not constitute the right to purchase at these prices. All orders are subject to final approval and acceptance. Prices, terms, and specifications are subject to change without notice. Billing prices are those in effect on the date of shipment.

Order Processing Time

Standard order processing time will be 3 working days. Orders are considered received the following day when they are received after 1:00 P.M. Eastern Standard Time (E.S.T.). Warehouse Express orders will be shipped same day if received by 10:00 A.M. E.S.T. Air Express will arrive next day if order is received by 1:00 P.M. E.S.T. Air charges will be prepaid and charged. Orders will be considered "standard" unless otherwise noted on the order.

Freight Charges

\$750.00 net per order prepaid within the continental United States and Canada. We reserve the right to ship by carrier of our choice. Less than \$750.00 net order is shipped prepaid and charged. Any special or accelerated delivery requirements are at the customer's expense.

Terms of Sale

2% 10th Prox., Net 25th. Supersedes all previous prices. Prices subject to change without notice.

Material Return

No return will be accepted without prior authorized approval to return. To obtain a Returned Sales Authorization please contact the Sales Department at 1-800-937-1037. Returns to stock will be charged a 25% restocking charge.

Warranty Information

American Water Heater's parts carry a limited warranty against defects in material and workmanship for a period of ONE YEAR, except incoloy elements, which have a 10-year warranty. This warranty is limited to the original purchaser for one year from date of purchase. It is restricted to replacement of the defective part. American Water Heaters will not be responsible for costs incurred in removal and reinstallation of part.

Water heater parts that are defective will be replaced free of charge, on an exchange basis (old part for new) when the defective part is returned to Product Service and Support within 30 days of failure. The return must be accompanied by a receipt providing evidence of date of purchase and a statement describing the failure conditions of the part.

NO OTHER WARRANTY, EXPRESS OR IMPLIED, IS MADE ON BEHALF OF AMERICAN WATER HEATER'S PARTS. You may have other rights which may vary from state to state. Some states do not allow limitations on how long an implied warranty lasts, so the above limitation may NOT APPLY to you. This warranty gives you specific local rights, and may include other rights which vary from state to state.

Contents

	PAGE NUMBER
Exploded Parts Views	
Residential Electric	3-4
FVIR PowerFlex®	13
Residential Gas - Flame Guard®	17
Polaris®	21
HCG Series Commercial Gas	25
DCG3 Series Commercial Gas	28
Residential	
Anode Rods	5
Drain Valves	5
Drain Pans	5
Elements –	
..... Incoloy Screw-In with Gasket	6
..... Copper Screw-In with Gasket	6-7
..... Accessories - Adapter Kits, Gaskets, and Wrench	8
Installation Kits/Installation Accessories	8-9
Extended Warranty Kit	9
Temperature and Pressure Relief Valves	10
Thermocouples	10
Thermostats –	
Electric	11
Gas	11-12
Specialty Heater Parts –	
Tiny Titan®	12
PowerFlex®	13
Other Parts –	
Burner Assemblies	20
Pilot Assemblies	20
Flame Guard®	17-19
Polaris®	19-22
Commercial	
Commercial Gas	25-34
Commercial Electric	35-36
Numerical Parts/Price Index	37-38

Residential Electric Parts

Side Water Connections

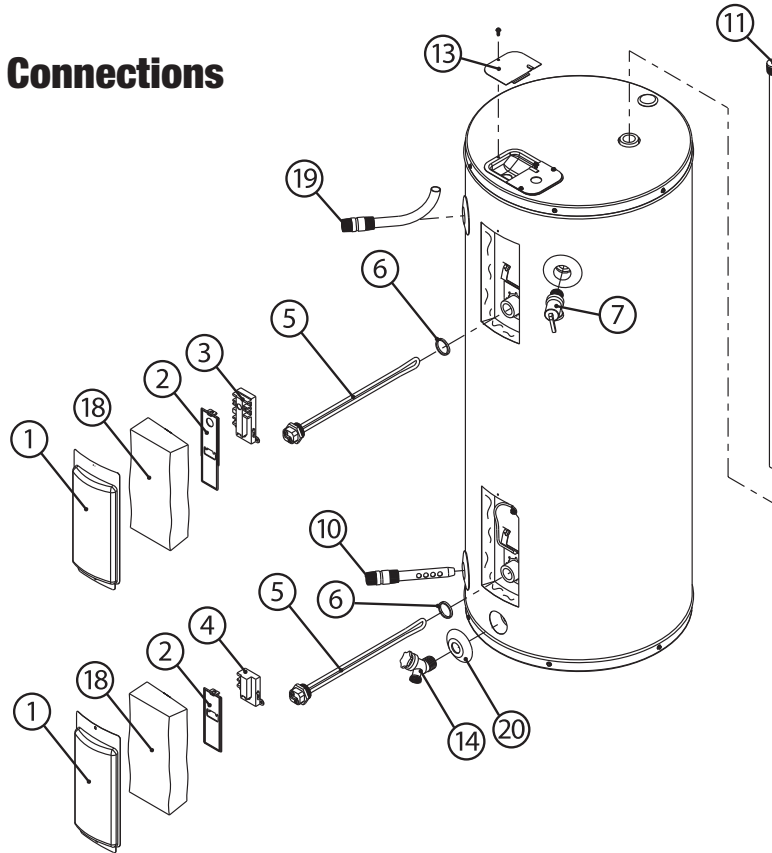
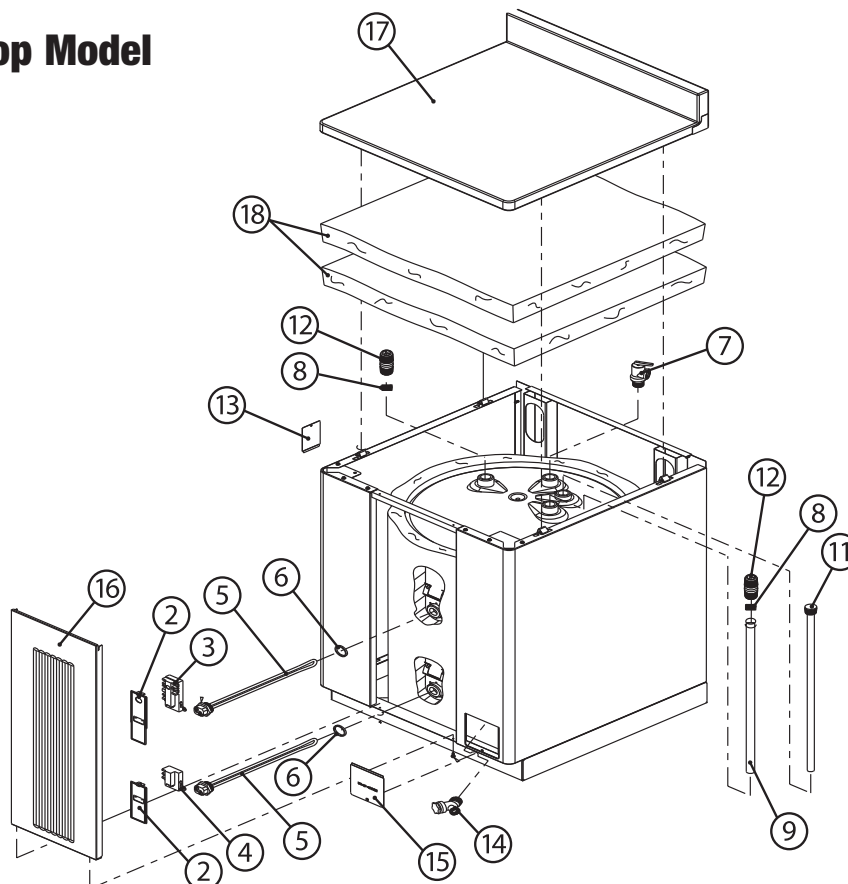
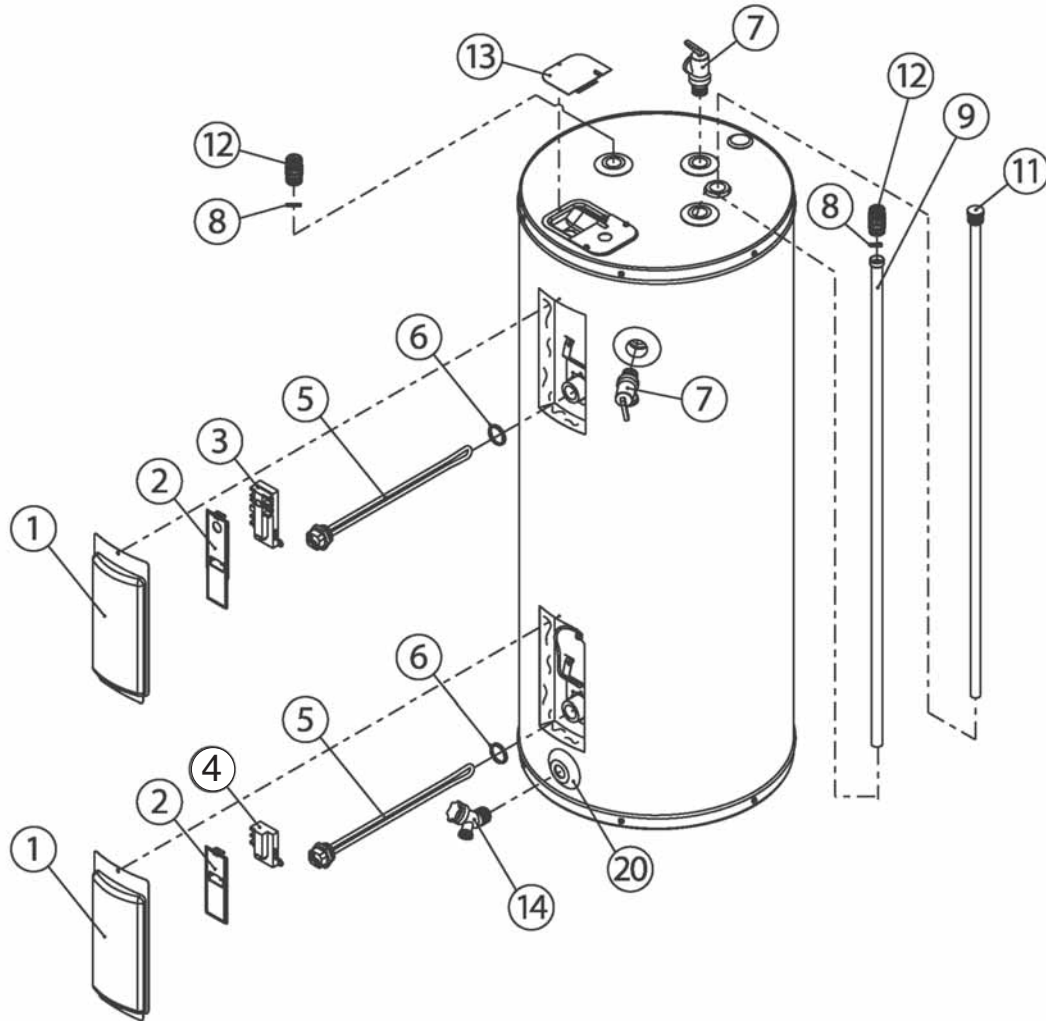


Table Top Model



Residential Electric Parts

Top Water Connections



No.	Part Name and Description	No.	Part Name and Description
1	Access Doors	11	Anode Rod
2	Thermostat Covers	12	Nipple
3	Upper Thermostat	13	Junction Box Cover
4	Lower Thermostat	14	Drain Valve
5	Element	15	Drain Access Panel
6	Element Gasket	16	Front Panel
7	T&P Relief Valve	17	Top Panel
8	Heat Traps	18	Insulation
9	Dip Tube	19	Nipple/J-Tube Combo
10	Dip Tube	20	Flange

Anode Rods

Description	Part Number	Kit Number	List Price Each
-------------	-------------	------------	-----------------

Aluminum

Aluminum 5/8" x 24"	4710176		\$ 20.45
Aluminum 5/8" x 33"	4710180		23.85
Aluminum 5/8" x 45"	4710182		26.00
Aluminum 3/4" x 45"	4710183		39.10
Aluminum 5/8" x 54"	4710184		40.35

Magnesium

Magnesium 3/4" x 39"	4700079	9001829005	\$ 40.60
----------------------	---------	------------	----------

Combination Aluminum/Zinc/Tin KA-90

Combo Alum/Zinc/Tin 3/4" x 39"	4700375		\$ 47.55
Combo Alum/Zinc/Tin .84" x 42.5" Includes Heat Trap	4710574	9001453005	70.80

Combination Aluminum and Hot Outlet Anode for 6-Year Models

Hot Outlet Anode 5/8" x 39" (Will only fit 40, 50, & 80)	4710520	9006291005	\$ 20.40
---	---------	------------	----------

Drain Valves



Plastic 3" Cavity Or Less	Bagged	6900820	9003098015	\$ 21.80
Brass 2" Cavity Or Less	Bagged	6900854		11.90
Brass 3" Cavity Or Less	Bagged	6900830	9003907015	16.60

Drain Pans (Metal)



20" I.D. x 21.75" O.D. - With Fitting	4810325	9000741005	\$ 32.40
22" I.D. x 23.75" O.D. - With Fitting	4810326	9001609005	38.40
26" I.D. x 27.75" O.D. - With Fitting	4810327	9000743005	53.40
30" I.D. x 31.75" O.D. - With Fitting	4810328	9001608005	54.60

Elements - Incoloy Screw-In with Gasket #4400032

Description	Part Number	Kit Number	List Price Each
-------------	-------------	------------	-----------------



Incoloy "long life resists burn-out and the effects of lime"

2500W 240V SCR	Bagged	6900833	9004291115	\$ 46.40
3000W 240V SCR	Bagged	6900834	9000664015	47.00
3500W 240V SCR	Bagged	6900835	9004292115	36.60
4000W 240V SCR	Bagged	6900836	9004751115	45.80
4500W 240V SCR	Bagged	6900397	9000405015	42.80
5500W 240V SCR	Bagged	6900399	9000396015	41.00
5500W 240V SCR (13" Length)	Bagged	6900837	9004294115	37.80

Elements - Copper Screw-In with Gasket #4400032

Description	Part Number	Kit Number	List Price Each
-------------	-------------	------------	-----------------



1000W 120V SCR	Bagged	6900838	9004739115	\$ 12.80
1000W 240V SCR	Bagged	6900839		13.40
1500W 120V SCR	Bagged	6900374	9004740115	12.40
1500W 240V SCR	Bagged	6900380	9004745115	12.80
1650W 120V SCR	Bagged	6911096	9000253015	16.60

Elements - Copper Screw-In with Gasket #4400032 - Continued

Description	Part Number	Kit Number	List Price Each
-------------	-------------	------------	-----------------



2000W 120V SCR	Bagged	6900840	9004741115	\$ 12.80
2000W 240V SCR	Bagged	6900841	9003946115	12.80
2500W 120V SCR	Bagged	6900842	9004742115	13.00
2500W 240V SCR	Bagged	6900843	9003954115	13.00
3000W 240V SCR	Bagged	6900383	9003955115	12.60
3500W 240V SCR	Bagged	6900384	9003948115	12.80
4000W 240V SCR	Bagged	6900844	9003956115	13.40
4500W 240V SCR	Bagged	6900386	9000092015	13.40
5000W 240V SCR	Bagged	6900845	9003957115	16.60
5500W 240V SCR	Bagged	6900846	9003951115	16.00
6000W 240V SCR	Bagged	6900847	9003952115	23.00

Element Accessories



Description	Part Number	Kit Number	List Price Each
Element Adapter Kit Bagged Adapts bolt-in style water heaters to accept screw-in elements	6900809	9000030015	\$ 13.60
Continuity Tester Bagged	6900832		7.50
Gasket Kit Bagged	6900813		6.30
Heavy-Duty Element Wrench Bagged	6900819	9000429015	12.40

Installation Kits/Accessories



Universal Installation Kit - Carded	6900740	9000104045	\$ 52.40
Kit contains: 2-3/4" x 2" Lined Nipples 2-12" Water Connectors 2-3/4" Compression Fittings 1-Roll Teflon® Sealant			
Gas Installation Kit - Carded	6900735	9000105045	\$ 59.00
Kit contains: 1/2" x 18" Gas Connector with Flare Fittings 2-3/4" x 2" Lined Nipples 2-12" Water Connectors 2-3/4" Compression Fittings 1-Roll Teflon® Sealant			

*Applicable only when a full pack is ordered. For less than pack quantities, see "List Price Each" column.

Installation Kits/Accessories - Continued



Description		Part Number	Kit Number	List Price Each
15" Water Installation Kit Kit contains: 2-15" Water Connectors 2-3/4" x 2" Lined Nipples 1-Roll Teflon® Sealant	Bagged	6900817	9000104045	\$ 52.40
24" Water Line (1 each)	Bagged	6900821		29.60
Compression Fittings 2-3/4"	Bagged	6900814	9000062015	11.20
Compression Fittings 2-1/2"	Bagged	6900811	9000061015	8.80
Reducing Bushings 2-3/4" to 1/2"	Bagged	6900855	9000258015	13.40
Nipples 3/4" x 3" (2 Each Per Card)	Bagged	6900823	9002564015	9.20
Flexible Gas Line 24"	Bagged	6900818		33.55
Flexible Gas Line 48"	Bagged	6900822		51.30
Heat Traps	Bagged	6900808	9000415015	14.60
Water Heater Stand Galvanized - 18" High (Supports up to 50-gallon WH)		6905047	9005743005	97.00
Water Heater Stand Plated Steel Tube - 18" High (Supports 75- & 100-gallon WH)		6905049	9005744005	116.20

*Applicable only when a full pack is ordered. For less than pack quantities, see "List Price Each" column.

Extended Warranty Kit

Description	Part Number	Kit Number	List Price Each
+6 Extended Warranty Kit	6910604		\$ 170.00

Temperature & Pressure Relief Valves

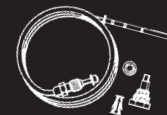


Description	Part Number	Kit Number	List Price Each
-------------	-------------	------------	-----------------

3/4" Male 150 P.S.I. ASME Residential

T&P Valve 1" Cavity	Bagged	6900816	9000071015	\$ 15.20
T&P Valve 2" Cavity	Bagged	6900828	90000728015	17.80
T&P Valve 3" Cavity	Bagged	6900829	90002403015	21.00

Thermocouples



Description	Part Number	Kit Number	List Price Each
-------------	-------------	------------	-----------------

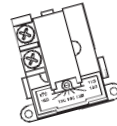
Standard Thermocouples for all Models except "FG" Models and Polaris®

18" Length	Bagged	6900858	9000876015	\$ 10.60
24" Length	Bagged	6900810	9000056015	11.20
36" Length	Bagged	6900856		16.60
48" Length	Bagged	6900857	9000497015	16.00

*Applicable only when a full pack is ordered. For less than pack quantities, see "List Price Each" column.

Thermostats

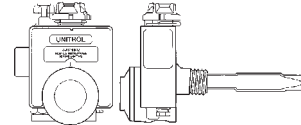
Description	Part Number	Kit Number	List Price Each
-------------	-------------	------------	-----------------



Thermostats - Residential Electric Water Heaters

Upper Thermostat with High Limit for Double Element Heaters	- Bagged	6900825	9001954015	\$ 26.20
Lower Thermostat for Double Element Heaters	- Bagged	6900824	9000507015	12.00
Single Element Thermostat for Single Element Heaters	- Bagged	6900826	9000509015	22.80

Thermostats** - Boxed Only Residential Gas Water Heater with Prefix "G"



R110 LP Gas Valve 42.75K reg. 10' W.C. 1.5" Shank for LP Gas Water Heaters with inputs from 27,000 to 75,100 BTUs	6901704		\$ 231.00
R110 LP Gas Valve 42.75K Reg. 10" W.C. 2.375" Shank for LP Gas Water Heaters with inputs from 27,000 to 75,100 BTUs	6901705		231.00
R110 Natural Gas Valve 35K Reg. 3.5" W.C. 1.5" Shank for Water Heater with inputs from 28,000 to 42,000 BTUs	6901706		123.45
R110 Natural Gas Valve 55K Reg. 3.5" W.C. 2.375" Shank for Water Heater with inputs from 46,000 to 63,500 BTUs	6901707		123.45
R110 Natural Gas Valve 55K Reg. 3.5" W.C. 1.5" Shank for Water Heater with inputs from 46,000 to 63,500 BTUs	6901708		123.45
R110 Natural Gas Valve 35K 3.5" W.C. 2.375" Shank for Water Heater with inputs from 28,000 to 42,000 BTUs	6901709		123.45

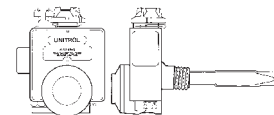
* Applicable only when a full pack is ordered. For less than pack quantities, see "List Price Each" column.

** Gas valves should be installed by a plumbing professional.

Thermostats - Continued

Description	Part Number	Quantity	Kit Number	List Price
-------------	-------------	----------	------------	------------

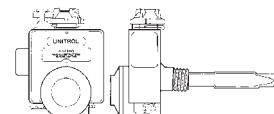
Thermostats* - Boxed Only Residential Gas Water Heater with Prefix "G"



R110 Natural Gas Valve 5" W.C. 2.375" Shank for Water Heater with inputs from 63,000 to 75,100 BTUs	6905048	1	9007567005	\$ 123.50
R110 Natural Gas Valve 4.5" W.C. for Model G62-100T88	3201009	1		164.50
3772U LP Gas Valve 10" W.C. 2.375" Shank for Model G62-100T88	3200803	1		345.90
R110 Natural Gas Valve 1-1/2" Shank Convertible Gas Valve for Mobile Home Heaters	6901710	1		231.00

*Gas valves should be installed by a plumbing professional.

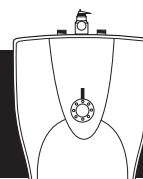
Thermostats* - Boxed Only Residential Gas Water Heater - Ultra-Low NOx



Kit-Gas Valve - ULN 30T30 1"	6910903	1		\$ 105.90
Kit-Gas Valve - ULN 40T/50T 1"	6910904	1		105.90
Kit-Gas Valve - ULN 40T/50T 2"	6910905	1		105.90

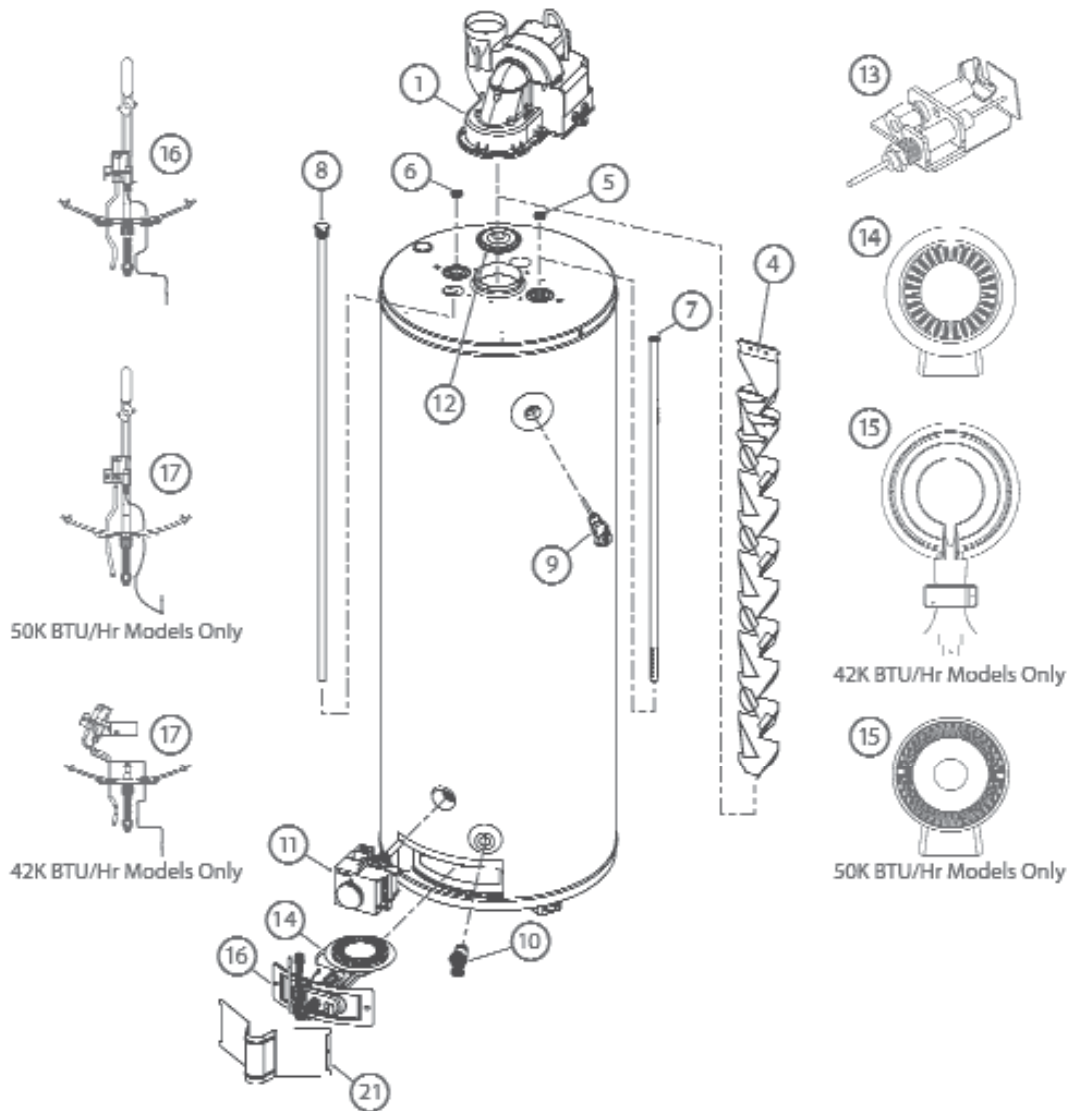
*Gas valves should be installed by a plumbing professional.

Specialty Heater Parts Tiny Titan® 2.5-Gallon Parts and Accessories



Description	Part Number	Quantity	List Price
Anode Rod - Aluminum	4710606	1	\$ 14.45
Element, Gasket, & Anode Rod - (E1E2.5US013V)	6901688	1	31.75
Element - (E1E2.5US015V)	3310351	1	49.90
Combination Thermostat and On-Off Switch	3210392	1	28.75
Element Gasket - (E1E2.5US013V)	4410116	1	3.60
Element Gasket - (E1E2.5US015V)	4410163	1	11.80

FVIR PowerFlex® and PowerFlex Direct® Accessories



No.	Part Name and Description	No.	Part Name and Description
1	Blower	12	Restrictor Plate
2	Inlet Pressure Switch (not pictured)	13	Pilot Assembly - Natural Gas/LP Gas
3	Outlet Pressure Switch (not pictured)	14	Natural Gas Burner
4	Flue Baffle	15	LP Gas Burner
5	Heat Trap (cold)	16	Manifold Door Assembly - Natural Gas
6	Heat Trap (hot)	17	Manifold Door Assembly LP Gas
7	Cold Water Dip Tube	18	Two Piece Wire Connector with Retainer Clip (not shown)
8	Anode Rod	19	Manifold Door Gasket (not shown)
9	Temperature and Pressure Valve	20	Viewport Assembly (not shown)
10	Drain Valve	21	Outer Door
11	Gas Valve/Thermostat		

FVIR PowerFlex® and PowerFlex Direct™ Accessories

Item Number	Description	Part Number	Quantity	Kit Number	List Price
Models PVG & PDVG-40T42, -50T42, & -50T60 prior to 01/08					
1	Blower [PVG-40T42]	3810020	1		\$ 319.45
1	Blower [PVG-50T42]	3810022	1		319.45
1	Blower [PVG-50T60]	3810021	1		319.45
1	Blower [PDVG-40T42 & -50T42]	3810018	1		336.75
1	Blower [PDVG-50T60]	3810019	1		319.45
2	Inlet Pressure Switch [PDVG-40T42 & -50T42]	3210545	1		32.10
3	Outlet Pressure Switch [PDVG-40T42 & -50T42]	3210546	1		32.10
2/3	Inlet/Outlet Pressure Switch [PDVG-50T60]	3210601	1		32.10
3	Outlet Pressure Switch [PVG-40T42]	3210583	1		32.10
3	Outlet Pressure Switch [PVG-50T42]	3210600	1		32.10
3	Outlet Pressure Switch [PVG-50T60]	3210584	1		32.10
11	Gas Valve - Natural Gas	6910782	1		246.00
11	Gas Valve - Propane (LP) Gas	6910783	1		246.00
11	Gas Valve - Cover	3210585	1		5.40
13	Pilot Assembly - Natural Gas	6910784	1		22.50
13	Pilot Assembly - Propane (LP) Gas	6910785	1		22.50
16	Manifold Door Assembly - Natural Gas 40-Gallon	6910777	1		78.50
16	Manifold Door Assembly - Natural Gas 50-Gallon	6910779	1		78.50
17	Manifold Door Assembly - Propane (LP) Gas [40T42]	6910778	1		85.50
17	Manifold Door Assembly - Propane (LP) Gas [50T42]	6910780	1		75.75
17	Manifold Door Assembly - Propane (LP) Gas [50T60]	6910781	1		76.20
19	Manifold Door Gasket	6910424	1		25.85
N/A	Reducer - 3" x 2" PVC	4710869	1		12.15

Non-FVIR PowerFlex® Accessories

Models: PVG62-40T50-3 and PVG62-50T63-3, PVG62-7ST75-3

Power Vent Assembly (PowerFlex®)	3000288	1	\$ 326.40
Power Vent Assembly Adapter (PowerFlex®)	2710020	1	1.80
Pressure Switch Gas (Power Vent Assembly)	3200481	1	52.90
Fan Proving Switch Air			
Before Date Code 9746	3200482	1	44.10
Date Code 9746 and After	3200761	1	44.10

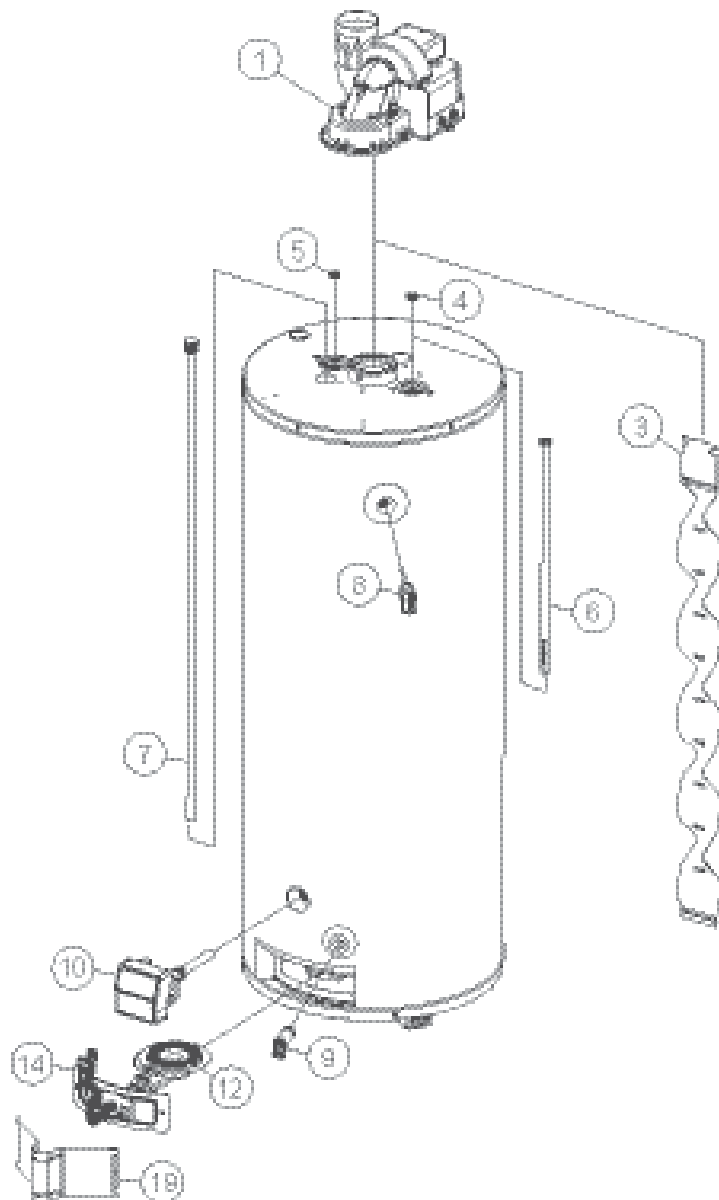
Non-FVIR PowerFlex® Gas Water Heater Thermostats* - Boxed Only

Gas Valve Johnson 01364 (PowerFlex®) Solenoid Valve	3200480	1	\$ 123.50
Gas Valve Reg. 3-1/2" W.C. 2-3/8" Shank Fits Residential PowerFlex®x 40-Gallon Gas Water Heaters with Model # Prefix PVG62 and PVG2F Manufactured with Robertshaw 110RTSP and 220RTSP	6901707	1	123.45
Gas Valve Reg. 5" W.C. 2-3/8" Shank Fits Residential 50- and 75-Gallon Natural Gas Water Heaters with Model # Prefix PVG62 and PVG2F Manufactured with Robertshaw 110RTSP and 220RTSP	6905048	1	123.50
Gas Valve Reg. 10" W.C. 2-3/8" Shank Fits Residential PowerFlex® 40- and 50- and 75-Gallon LP Gas Water Heaters with Model # Prefix PVG62 and PVG2F Manufactured with Robertshaw 220RLPTSP	6901705	1	231.00

*Gas valves should be installed by a plumbing professional. Gas valves for heaters other than those listed above are available. Please contact the order desk with the heater serial number, model number and part number on the gas valve.

FVIR PowerFlex® and PowerFlex Direct™ Accessories

Models PVG62 & PDVG62 Manufactured after 01/08



No.	Part Name and Description	No.	Part Name and Description
1	Blower	11	Hot Surface Igniter (HSI)
2	Pressure Switch (Not Pictured)	12	Natural Gas Burner
3	Flue Baffle	13	L.P. Gas Burner
4	Heat Trap (Cold)	14	Manifold Door Assembly - Natural Gas
5	Heat Trap (Hot)	15	Manifold Door Assembly - L.P. Gas
6	Cold Water Dip Tube	16	Two Piece Wire Connector w/Retainer Clip
7	Anode Rod	17	Manifold Door Gasket
8	Temperature and Pressure Valve	18	Viewport Assembly
9	Drain Valve	19	Outer Door
10	Gas Control Valve/Thermostat		

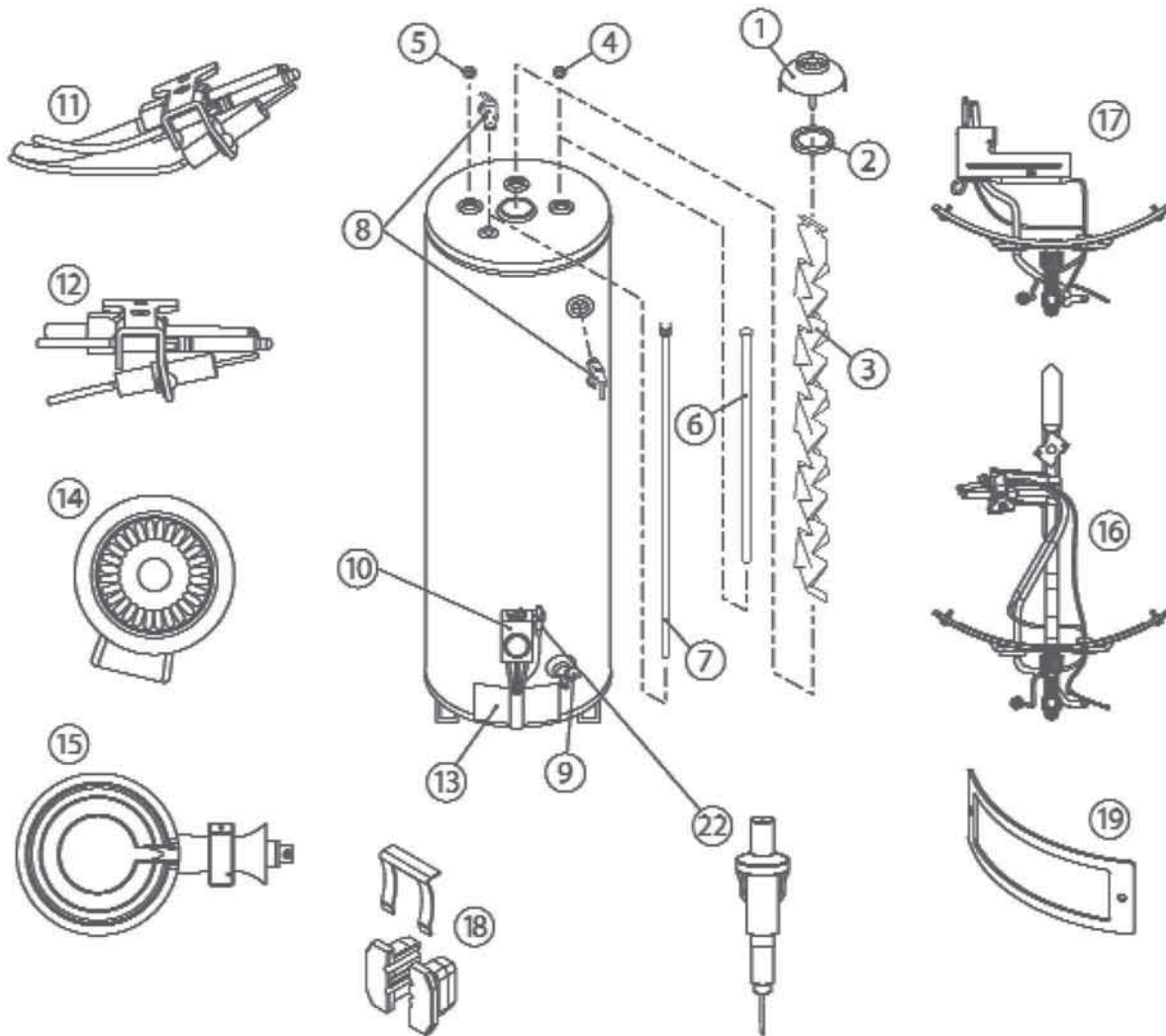
FVIR PowerFlex® and PowerFlex Direct® Accessories

Item Number	Description	Part Number	Quantity	Kit Number	List Price
--------------------	--------------------	--------------------	-----------------	-------------------	-------------------

Models PVG62 & PDVG62 Manufactured after 01/08

1	Blower [PVG62 & PDVG62 42,000 btu]	6910910	1	9007597005	\$ 313.10
1	Blower [PVG62 * PDVG62 60,000 btu]	6910911	1		313.10
2	Pressure Switch [40,000 btu]	3210681	1		13.10
2	Pressure Switch [60,000 btu]	3210682	1		13.10
10	Gas Valve - Natural Gas	6910917	1	9007601005	212.00
10	Gas Valve - Propane (LP) Gas	6910918	1		217.15
11	Hot Surface Igniter	6910916	1	9007600005	47.10
14	Manifold Door Assembly - Natural Gas 40-Gallon	6910912	1	9007589005	95.85
14	Manifold Door Assembly - Natural Gas 50-Gallon	6910914	1	9007590005	95.85
15	Manifold Door Assembly - Propane (LP) Gas 40-Gallon	6910913	1	9007591005	95.85
15	Manifold Door Assembly - Propane (LP) Gas 50-Gallon	6910915	1	9007592005	95.55

Flame Guard® “FG” & “BFG” Gas Parts



No.	Part Name and Description	No.	Part Name and Description
1	Drafthood	12	Pilot Assembly (propane)
2	Reducer Ring (some models)	13	Outer Door
3	Flue Baffle	14	Burner (natural gas/low NOx)
4	Heat Trap (cold)	15	Burner (propane)
5	Heat Trap (hot)	16	Manifold Door Assembly (natural gas)
6	Cold Water Dip Tube	17	Manifold Door Assembly (propane)
7	Anode Rod	18	Retainer Clip with Grommet
8	T&P Relief Valve (top or side)	19	Manifold Door Gasket
9	Drain Valve	20	Viewport Assembly (not shown)
10	Gas Valve/Thermostat	21	Thermocouple (not shown)
11	Pilot Assembly (natural gas)	22	Piezoelectric Igniter

Flame Guard® Accessories

Item Number	Description	Part Number	Quantity	Kit Number	List Price
-------------	-------------	-------------	----------	------------	------------

Miscellaneous Parts - Flame Guard® with Prefix "FG" or "BFG"

19	Manifold Door Gasket Retainer Clip and Grommet	6910424	1		\$ 25.85
18	Thermocouple & Igniter Wire	6910426	1	9006140015	12.00
20	Round Sight Glass-Viewport Assembly	6910428	1		7.20
20	Square Sight Glass-Viewport Assembly	6910806	1		7.20
22	Piezo Igniter Button	6910430	1	9006143015	13.60
	Optional Reusable Wraparound Debris Filter	6910610	1		27.75
14/15	Burners and Orifices	Call Product Service at 1-800-999-9515			

Thermostats - Boxed Only - Flame Guard® with Prefix "BFG"**

10	Gas Valve/Thermostat - Low NOx Natural Gas w/Suffix "NO" or "NOV" BFGx1-30S30, -30T30, -40S40, -40T34, -40T40 & -50T40	6910794	1	9006432005	\$ 104.40
10	BFGx1-50T50	6910796	1	9006605005	103.60
10	BFGx2-40T40 & -50T40	6910795	1	9006132005	103.80
10	BFGx2-50T50	6910797	1		111.50
10	Gas Valve/Thermostat - Propane Gas w/Suffix "P" or "PV" BFGx1-30T30, -40S40, -40T40 -50T40 & -50T50	6910830	1	9006604005	186.00
10	BFGx2-40T40, 50T40 & -50T50	6910831	1	9006133005	179.20

Pilots & Thermocouples - Flame Guard® with Prefix "BFG"

11	Pilot Assembly (Natural Gas)	6910427	1	9006134015	\$ 38.00
11	Pilot Assembly (Propane)	6910561	1	9006608015	45.60

Manifold & Door Assemblies - Flame Guard® with Prefix "BFG"
(does not include Burner or Orifice)

16	Manifold Door Assembly (Natural Gas & Low NOx Models w/Suffix "NO" or "NOV") BFGxx-30T30	6910800	1	9007535005	\$ 71.20
16	BFGxx-30S30	6910801	1	9007534005	64.80
16	BFGxx-40T34	6910802	1	9007538005	64.60
16	BFGxx-40T40	6910805	1	9006433005	129.65
16	BFGxx-40S40 & -50T50	6910804	1	9006138005	129.60
16	BFGxx-50T40	6910803	1	9006447005	167.00
17	Manifold Door Assembly (Propane Gas) BFGxx-30T30	6910826	1	9007544005	167.80
17	BFGxx-40T40	6910828	1	9007545005	167.80
17	BFGxx-40S40 & -50T50	6910827	1	9006139005	290.00
17	BFGxx-50T40	6910829	1	9007547005	289.90

**Gas valves should be installed by a plumbing professional.

Flame Guard® Accessories - Continued

Item Number	Description	Part Number	Quantity	Kit Number	List Price
-------------	-------------	-------------	----------	------------	------------

Thermostats** - Boxed Only - Flame Guard® with Prefix "FG"

10	Gas Valve/Thermostat - Natural Gas w/Suffix "N" or "NV" FGx1-30S30, -40S40, -40T34 -40T40 & -50T40	6910429	1		\$ 123.50
10	Gas Valve/Thermostat - Low NOx Natural Gas w/Suffix FGx1-30S30, -30T30, -40S40, "NO" or "NOV"-40T34, -40T40 & -50T40	6910555	1		123.50
10	FGx1-50T50	6910557	1		134.70
10	FGX2-40T40 & -50T40	6910559	1		123.50
10	FGX2-50T50	6910560	1		134.70
10	Gas Valve/Thermostat - Propane Gas w/Suffix "P" or "PV" FGx1-30S30, -30T30, -40S40, -40T34, -40T40, -50T40 & -50T50	6910554	1		231.10
10	FGx2-40T40, -50T40 & -50T50	6910558	1		231.10

**Gas valves should be installed by a plumbing professional.

Pilots & Thermocouples - Flame Guard® with Prefix "FG"

11	Pilot Assembly (Natural Gas)	6910427	1	9006134015	\$ 38.00
12	Pilot Assembly (Propane Gas)	6910561	1	9006608015	45.60
ALL OTHER PROPANE MODELS CALL PRODUCT SERVICE 1-800-999-9515					

*Pilot Assembly does not include Thermocouple.

Other Parts
Must Specify: "Product No." "Serial No." & "Model No."

Item Number	Description	Part Number	Quantity	Kit Number	List Price
-------------	-------------	-------------	----------	------------	------------

Burner Assemblies - Residential Gas with Prefix "G"

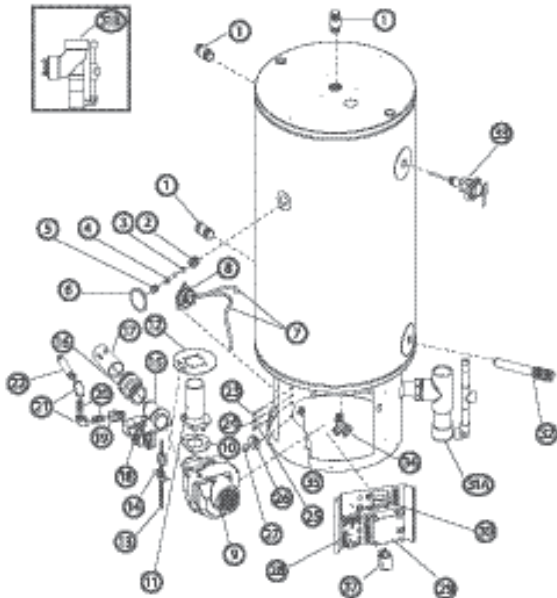
Gxx-30-, 40-, 50-, & 75-Gal. & 100T77 Nat. Gas Models	6900150	1		\$ 45.55
Gxx-30-, 40-, 50-, & 75-Gal. & 100T77 LP Gas Models	6900161	1		45.55
Gxx-100T88 Nat. Gas Models	3002806	1		61.90
Gxx-100T88 LP Gas Models	3002807	1		61.90

Pilot Assemblies - Residential Gas with Prefix "G"

Gxx-30-, 40-, & 50-Gal. Nat. Gas Models	3200583	1		\$ 23.40
Gxx-30-, 40-, & 50-Gal. LP Gas Models	3200612	1		23.40
Gxx-75-Gal. & 100T77 Nat. Gas Models	3210159	1	9007540015	23.40
Gxx-75-Gal. & 100T77 LP Gas Models	3210160	1		23.40
Gxx-100T88 Nat. Gas Low NOx Models	3200898	1		23.40
Gxx-100T88 Nat. Gas Models	3001644	1		23.40
Gxx-100T88 LP Gas Models	3001645	1		23.40

Polaris® Parts

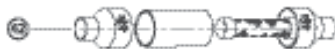
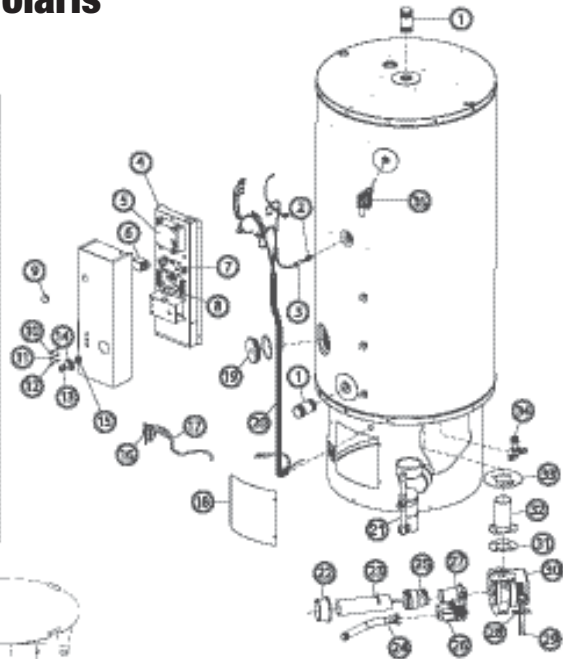
34- and 50-Gallon Polaris®



No.	Part Name and Description	No.	Part Name and Description
1	1" NPT x 3" Brass Nipple	20	1/2" NPT x 2" Nipples
2	Thermostat Sensor Bushing	21	1/2" NPT Elbows
3	O-Ring	22	1/2" NPT x 4-1/2" Nipple
4	Thermostat Sensor/ECO	23	Red LED
5	Inverted Flare Nut	24	Yellow LED
6	Plug	25	Green LED
7	Vinyl Tubing	26	Thermostat Bezel
8	Pressure Switch	27	Temperature Selector Knob
9	Combustion Blower	28	Thermostat Board
10	4" Diameter Blower Gasket	29	Ignition Control
11	Burner (Natural and LP Same)	30	Transformer
12	6" Diameter Burner Gasket	31A	2" Condensate Trap Assembly
13	Hot Surface Igniter	31B	3" Condensate Trap Assembly
14	Igniter Bracket	32	Cold Water Tube Assembly
15	Venturi Manifold	33	Temperature & Pressure Relief Valve
16	Reducing Coupling	34	Drain Valve
17	Air Inlet Pipe Assembly	35	Potentiometer
18	Gas Valve	36	Venturi Gasket (Not Pictured)
19	1/2" NPT 90° Inlet Flange	37	Blower Isolation Relay

100-Gallon Polaris®

No.	Part Name and Description	No.	Part Name and Description
1	1-1/2" NPT x 3" Brass Nipple	19	Clean-out Plug with O-ring
2	Thermostat Sensor Bushing	20	Conduit
3	Thermostat Sensor/ECO	21	3" Condensate Trap Assembly
4	Control Panel Housing	22	Bushing
5	Ignition Control	23	Air Inlet Pipe Assembly
6	Blower Isolation Relay	24	3/4" Gas Inlet Pipe
7	Thermostat Board	25	Pipe Coupling
8	Transformer	26	Gas Valve
9	Sight Glass	27	Venturi Manifold
10	Red LED	28	Igniter Bracket
11	Yellow LED	29	Hot Surface Igniter
12	Green LED	30	Blower
13	Temperature Selector Knob	31	4" Diameter Blower Gasket
14	Thermostat Bezel	32	Burner (Natural and LP Same)
15	Potentiometer	33	6" Diameter Burner Gasket
16	Pressure Switch	34	Drain Valve
17	Vinyl Tubing	35	Temperature & Pressure Relief Valve
18	Access Panel		



Polaris® Parts

34-/50-Gal. Item Number	100-Gal. Item Number	Description	Part Number	Quantity	List Price
-------------------------------	----------------------------	-------------	----------------	----------	---------------

Parts for PG and PGC Models and (PR, PC Models starting in August 2002)

1		Brass Nipple	6907319	1	\$ 17.90
	1	Brass Nipple	6907348	1	19.85
2	2	Thermostat Bushing	6907304	1	19.50
4	3	E.C.O./Sensor - Resettable	6905055	1	65.05
8		Pressure Switch [100 & 175 MBtu's]	6903770	1	37.50
8	16	Pressure Switch [130, 150, & 199 MBtu's]	6903769	1	37.50
9		Blower [100 MBtu's]	6903772	1	569.40
9		Blower [130 MBtu's]	6903771	1	569.40
9		Blower [150 MBtu's]	6903790	1	1,034.20
9		Blower [175 MBtu's]	6903773	1	1,034.20
9	30	Blower [199 MBtu's]	6903774	1	1,034.20
10	31	4" Blower Gasket	6903779	1	6.75
11	32	Burner (Natural & Propane)	6903780	1	512.75
12	33	6" Burner Gasket	6903781	1	19.35
13	29	Igniter Kit - Includes: Gasket & Bracket	6903768	1	51.95
		Replacement Filter Media (after 0832)	3710169	1	61.15
16		Reducer Coupling (date code 0233-0832)	4710798	1	12.50
16		Reducer Coupling (after 0832)	4710912	1	12.10
17		Air Inlet Pipe Assembly [100, 130, & 150 MBtu's] (0233-0832)	6903783	1	65.05
17		Air Inlet Pipe Assembly [175 & 199 MBtu's] (0233-0832)	6903789	1	71.30
17		Air Inlet Pipe Assembly [100, 130 & 150 MBtu's] after 0832	3010346	1	156.85
17		Air Inlet Pipe Assembly [175 & 199 MBtu's] after 0832	3010346	1	156.85
	23	Air Inlet Pipe Assembly [100-Gallon]	6907349	1	111.60
	24	3/4" Gas Inlet Pipe	4710871	1	45.90
18	26	Gas Valve	6903775	1	247.90
23	10	Red LED Light	6907307	1	11.45
24	11	Yellow LED Light	6907306	1	11.45
25	12	Green LED Light	6907305	1	11.45
28		Thermostat Board 160 Deg. (Residential)	6905052	1	89.45
28	7	Thermostat Board 185 Deg. (Commercial)	6903777	1	89.45
29		Ignition Control [100, 130, & 150 MBtu's]	6910872	1	124.30
29	5	Ignition Control [175 & 199 MBtu's]	6907347	1	124.30
30	8	Transformer	6907302	1	24.55
31A		2" Condensate Trap Assembly [100, 130, & 150 MBtu's]	186642-000	1	175.65
31B		3" Condensate Trap Assembly [175 & 199 MBtu's]	186648-000	1	164.00
	21	3" Condensate Trap Assembly [100-Gallon]	4710838	1	127.45
32		Cold Water Tube	6903778	1	32.45
33		T & P Valve [100 MBtu's]	6907317	1	24.55
33	35	T & P Valve [130, 150, 175, & 199 MBtu's]	6903786	1	75.50
34	34	Drain Valve	6907316	1	16.35
39		Tempering Valve (Supplied with PG Only)	4310027	1	252.60
35	15	Potentiometer	6905050	1	21.30
N/A	N/A	Thermostat Kit 160 Deg. Includes - Board, ECO/Sensor & Potentiometer	6905033	1	175.65
N/A	N/A	Thermostat Kit 180 Deg. Includes - Board, ECO/Sensor & Potentiometer	6907350	1	175.65
40		Concentric Vent Kit - For 2" Vent Piping	6911088	1	101.95
40	40	Concentric Vent Kit - For 3" Vent Piping	6911089	1	127.45
41		NSF Stand Kit [34-/50-Gallon Commercial]	6910547	1	188.65
	41	NSF Stand Kit [100-Gallon Commercial]	6910613	1	280.35
N/A		Water Test Kit	6903791	1	234.45
42	42	Air Intake Filter Kit (date code 0233-0832)	3710170	1	347.95
N/A		Gasket Kit Includes Items 10 & 12 with Nuts & Washers	6907345	1	27.55
	19	Cleanout Plug	4710835	1	230.95
	19	Cleanout O-ring	4410147	1	0.50

Polaris® Parts - Continued

Item Number	Description	Part Number	Quantity	List Price
Parts for PBG, PBCG, DVPB Models and (PR, PC Models prior to August 2002)				
1	Brass Nipple	6907319	1	\$ 17.90
2	Thermostat Bushing	6907304	1	19.50
4	E.C.O./Sensor - Resettable	6905055	1	65.05
5	Inverted Flare Nut	6907303	1	11.45
8	Pressure Switch	6907313	1	37.50
8	Pressure Switch Low NOx	6907342	1	37.55
9	Blower & Motor	6907312	1	569.40
11	Burner Natural Gas	6905058	1	123.00
11	Burner Natural Gas Low NOx	6907343	1	125.25
11	Burner Propane Gas	6905059	1	120.45
13	Igniter Kit - [DVPB Only]	6901800	1	51.95
13	Igniter Kit - Includes: Gasket & Bracket	6903768	1	51.95
18	Gas Valve	6907310	1	146.45
23	Red LED Light	6907307	1	11.45
24	Yellow LED Light	6907306	1	11.45
25	Green LED Light	6907305	1	11.45
28	Thermostat Board 160 Deg. (Residential)	6905052	1	89.45
28	Thermostat Board 180 Deg. (Commercial)	6905053	1	89.45
29	Ignition Control - Before 9833	6907308	1	124.30
29	Ignition Control - After 9833 with Pressure Switch	6907309	1	124.30
30	Transformer	6907302	1	24.55
31A	Condensate Trap Assembly	186641-000	1	153.90
32	Cold Water Tube	6907320	1	32.45
33	T&P Valve	6907317	1	24.55
34	Drain Valve	6907316	1	16.35
36	Potentiometer (Not Shown)	6905050	1	21.30
40	Thermostat Kit 160 Deg. Includes - Board, ECO/Sensor & Potentiometer	6905033	1	175.65
40	Concentric Vent Kit - For 2" Vent Piping	6911088	1	101.95
40	Concentric Vent Kit - For 3" Vent Piping	6911089	1	127.45
N/A	Magnehelic Gauge	6905037	1	504.10

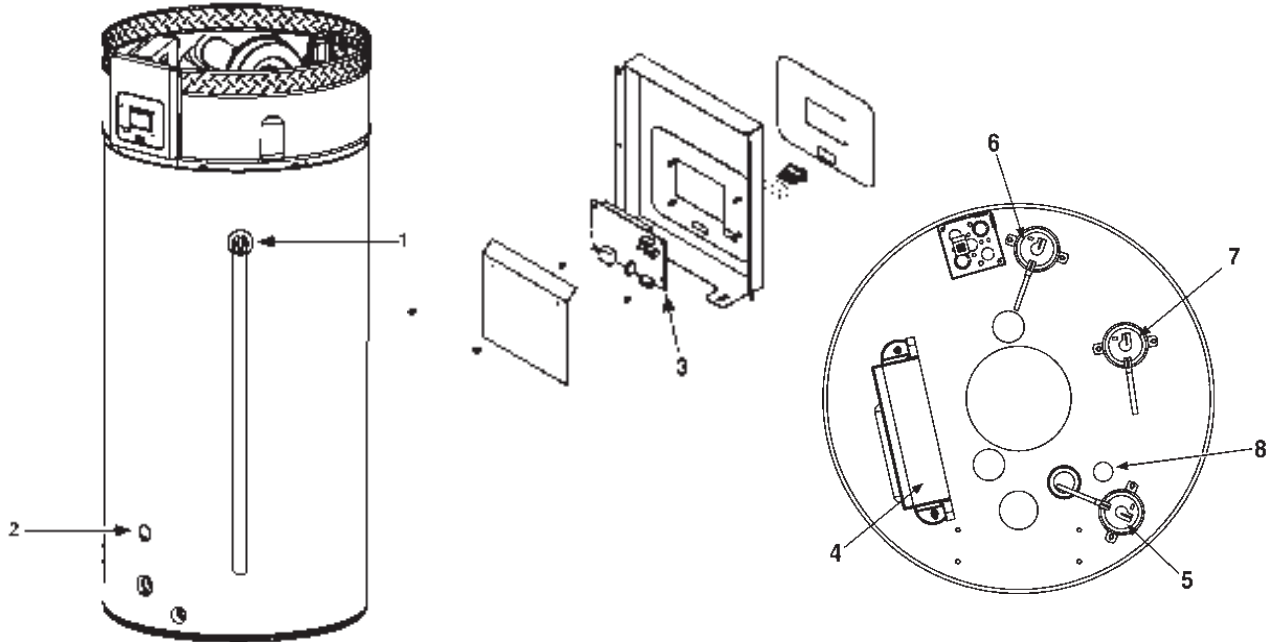
Polaris® Parts - Continued

Item Number	Description	Part Number	Quantity	List Price
N/A	Orifice Holder Kit - Natural Gas – Includes # 3 Orifice - Natural Gas	6907291	1	\$ 11.45
N/A	Orifice Holder Kit - Propane Gas - Includes # 17 Orifice - Propane Gas	6907292	1	14.80
N/A	Balance Line Kit - Includes 1/8" Bleed Line Break 1/8" od x 10" Alum. Tubing 1/8" Male Legris Elbow	6907295	1	11.45
N/A	Gasket Kit - Includes Burner Gasket - 2 Blower Gaskets Nuts & Washers	6907294	1	31.15
N/A	Blower Cover Switch - Propane only	6907314	1	14.80
N/A	Slip Joint Assembly - Includes O-ring & O-ring Washer 2" ABS Adaptor with Nut 2" ABS Elbow	6907293	1	29.20
N/A	Propane to Natural Gas Conversion Kit	CALL PRODUCT SERVICE AND SUPPORT FOR PRICE AND AVAILABILITY 1-800-456-9805		

Commercial Gas Parts

Description	Part Number	Quantity	List Price
Aquastat - Honeywell	6900523	1	\$ 235.90
Natural Gas Pilot Assembly with Power Pile Generator	3200554	1	68.40
LP Pilot Assembly with Power Pile Generator	3200555	1	68.40
Power Pile Generator 750 MV 30" Lead	3200293	1	76.80
Thermopile Robertshaw TP75 (32" Lead)	3200714	1	56.40
Natural Gas Valve (Millivolt) - Robertshaw 7000 BMVR57C	3200819	1	232.20
LP Gas Valve (Millivolt) - Robertshaw 7000 BMVR57C-LP	3200820	1	358.75

HCG Series Commercial Gas Parts



AHCG/HCG-60T120

Item *No.	Description	Kit #	Qty.	List Price
1	T & P Valve	9005903205	1	\$ 124.80
2	Lower Probe	9006242015	1	\$ 116.60
3	User Interface Module - UIM	9006240005	1	\$ 258.00
4	Controller (natural)	9006838005	1	\$ 535.40
4	Controller (propane)	9006842005	1	\$ 535.40
5	Switch-prover (natural)	9006280015	1	\$ 80.80
5	Switch-prover (propane)	9006280015	1	\$ 80.80
6	Switch-inlet (natural)	9006288015	1	\$ 80.80
6	Switch-inlet (propane)	9006281015	1	\$ 80.80
7	Switch-blocked outlet (natural)	9006287015	1	\$ 80.80
7	Switch-blocked outlet (propane)	9006287015	1	\$ 80.80
8	Upper Probe (natural)	9004238215	1	\$ 85.20
8	Upper Probe (propane)	9004238215	1	\$ 85.20

AHCG/HCG-100T150

Item *No.	Description	Kit #	Qty.	List Price
1	T & P Valve	9005903205	1	\$ 124.80
2	Lower Probe	9006242015	1	\$ 116.60
3	User Interface Module - UIM	9006240005	1	\$ 258.00
4	Controller (natural)	9006839005	1	\$ 535.40
4	Controller (propane)	9006843005	1	\$ 535.40
5	Switch-prover (natural)	9006280015	1	\$ 80.80
5	Switch-prover (propane)	9006280015	1	\$ 80.80
6	Switch-inlet (natural)	9006288015	1	\$ 80.80
6	Switch-inlet (propane)	9006281015	1	\$ 80.80
7	Switch-blocked outlet (natural)	9006289015	1	\$ 80.80
7	Switch-blocked outlet (propane)	9006287015	1	\$ 80.80
8	Upper Probe (natural)	9004238215	1	\$ 85.20
8	Upper Probe (propane)	9004238215	1	\$ 85.20

AHCG/HCG-100T199

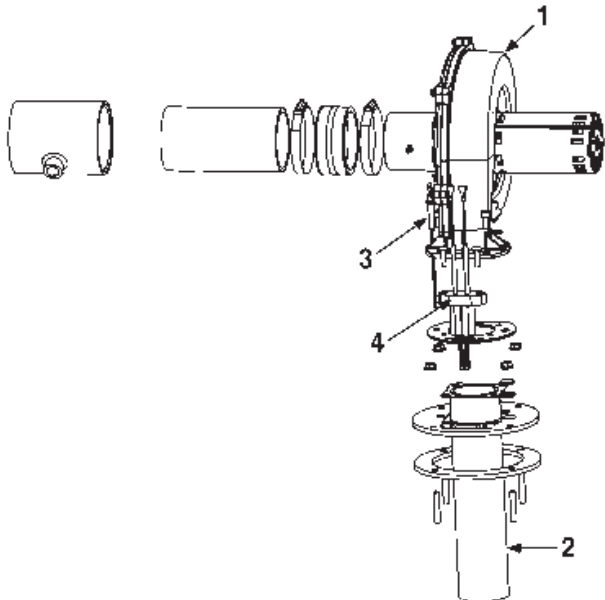
Item *No.	Description	Kit #	Qty.	List Price
1	T & P Valve	9005903205	1	\$ 124.80
2	Lower Probe	9006242015	1	\$ 116.60
3	User Interface Module- UIM	9006240005	1	\$ 258.00
4	Controller (natural)	9006840005	1	\$ 535.40
4	Controller (propane)	9006844005	1	\$ 535.40
5	Switch-prover (natural)	9006280015	1	\$ 80.80
5	Switch-prover (propane)	9006280015	1	\$ 80.80
6	Switch-inlet (natural)	9006288015	1	\$ 80.80
6	Switch-inlet (propane)	9006281015	1	\$ 80.80
7	Switch-blocked outlet (natural)	9006289015	1	\$ 80.80
7	Switch-blocked outlet (propane)	9006282015	1	\$ 80.80
8	Upper Probe (natural)	9004238215	1	\$ 85.20
8	Upper Probe (propane)	9004238215	1	\$ 85.20

AHCG/HCG-100T250

Item *No.	Description	Kit #	Qty.	List Price
1	T & P Valve	9005903205	1	\$ 124.80
2	Lower Probe	9006242015	1	\$ 116.60
3	User Interface Module - UIM	9006240005	1	\$ 258.00
4	Controller (natural)	9006841005	1	\$ 535.40
4	Controller (propane)	9006845005	1	\$ 535.40
5	Switch-prover (natural)	9006280015	1	\$ 80.80
5	Switch-prover (propane)	9006280015	1	\$ 80.80
6	Switch-inlet (natural)	9006281015	1	\$ 80.80
6	Switch-inlet (propane)	9006281015	1	\$ 80.80
7	Switch-blocked outlet (natural)	9006282015	1	\$ 80.80
7	Switch-blocked outlet (propane)	9006282015	1	\$ 80.80
8	Upper Probe (natural)	9004238215	1	\$ 85.20
8	Upper Probe (propane)	9004238215	1	\$ 85.20

HCG Series Commercial Gas Parts – Continued

**Burner/Blower Assembly -
AHCG/HCG-60T120 & 100T150**



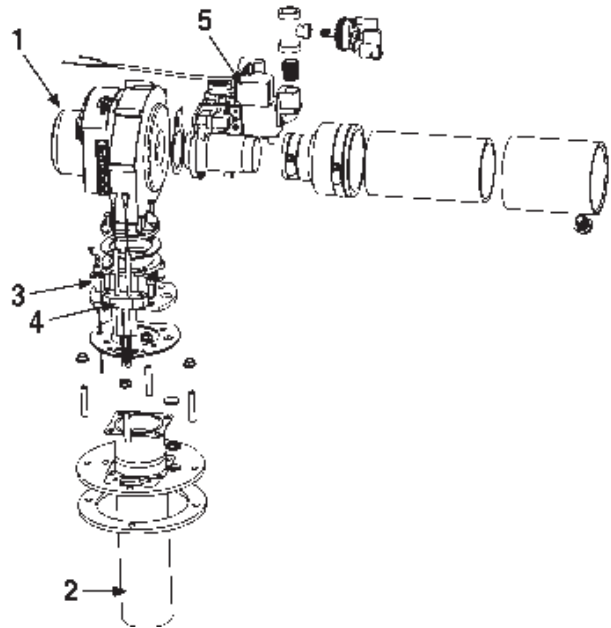
AHCG/HCG-60T120

Item *No.	Description	Kit #	Qty.	List Price
1	Blower (natural)	9006272005	1	\$ 558.20
1	Blower (propane)	9006272005	1	\$ 558.20
2	Burner (natural)	9006275005	1	\$ 269.40
2	Burner (propane)	9006275005	1	\$ 269.40
3	Flame Sensor (natural)	9006106205	1	\$ 72.00
3	Flame Sensor (propane)	9006106205	1	\$ 72.00
4	Igniter (natural)	9006101205	1	\$ 120.00
4	Igniter (propane)	9006101205	1	\$ 120.00

AHCG/HCG-100T150

Item *No.	Description	Kit #	Qty.	List Price
1	Blower (natural)	9006273005	1	\$ 577.80
1	Blower (propane)	9006273005	1	\$ 577.80
2	Burner (natural)	9006277005	1	\$ 269.40
2	Burner (propane)	9006277005	1	\$ 269.40
3	Flame Sensor (natural)	9006106205	1	\$ 72.00
3	Flame Sensor (propane)	9006106205	1	\$ 72.00
4	Igniter (natural)	9006101205	1	\$ 120.00
4	Igniter (propane)	9006101205	1	\$ 120.00

**Burner/Blower Assembly -
AHCG/HCG-100T199 & 100T250**



AHCG/HCG-100T199

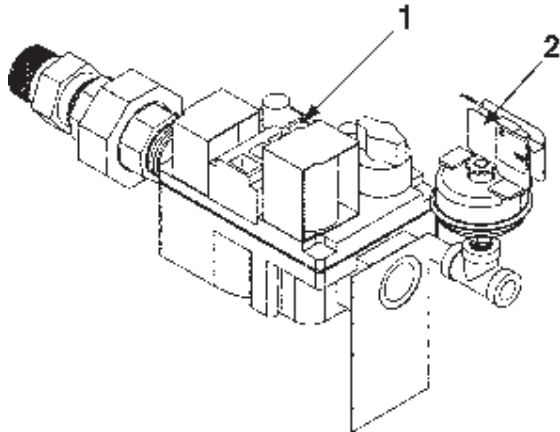
Item *No.	Description	Kit #	Qty.	List Price
1	Blower (natural)	9006274005	1	\$ 1,110.40
1	Blower (propane)	9006274005	1	\$ 1,110.40
2	Burner (natural)	9006279005	1	\$ 269.40
2	Burner (propane)	9006279005	1	\$ 269.40
3	Flame Sensor (natural)	9006106205	1	\$ 72.00
3	Flame Sensor (propane)	9006106205	1	\$ 72.00
4	Igniter (natural)	9006101205	1	\$ 120.00
4	Igniter (propane)	9006101205	1	\$ 120.00
5	Gas Valve - Venturi Assembly (natural)	9006285005	1	\$ 562.00
5	Gas Valve - Venturi Assembly (propane)	9006286005	1	\$ 562.00

AHCG/HCG-100T250

Item *No.	Description	Kit #	Qty.	List Price
1	Blower (natural)	9006274005	1	\$ 1,110.40
1	Blower (propane)	9006274005	1	\$ 1,110.40
2	Burner (natural)	9006279005	1	\$ 269.40
2	Burner (propane)	9006279005	1	\$ 269.40
3	Flame Sensor (natural)	9006106205	1	\$ 72.00
3	Flame Sensor (propane)	9006106205	1	\$ 72.00
4	Igniter (natural)	9006101205	1	\$ 120.00
4	Igniter (propane)	9006101205	1	\$ 120.00
5	Gas Valve - Venturi Assembly (natural)	9006285005	1	\$ 562.00
5	Gas Valve - Venturi Assembly (propane)	9006286005	1	\$ 562.00

HCG Series Commercial Gas Parts – Continued

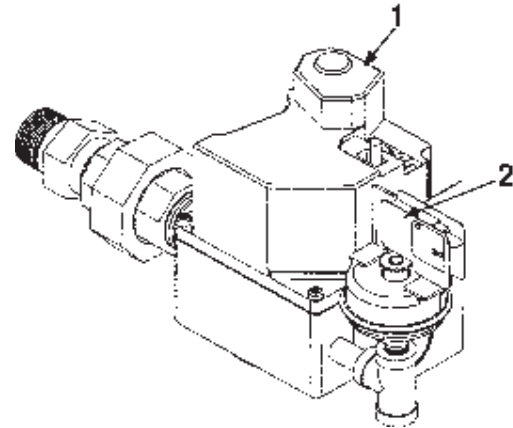
Gas Valve Assembly - AHCG/HCG-60T120



AHCG/HCG-60T120

Item *No.	Description	Kit #	Qty.	List Price
1	Gas Valve (natural)	9004535205	1	\$ 214.20
2	Switch - Low Gas Pressure (natural)	9006256015	1	\$ 100.80
2	Switch - Low Gas Pressure (propane)	9006255015	1	\$ 100.80

Gas Valve Assembly - AHCG/HCG-100T150



AHCG/HCG-100T150

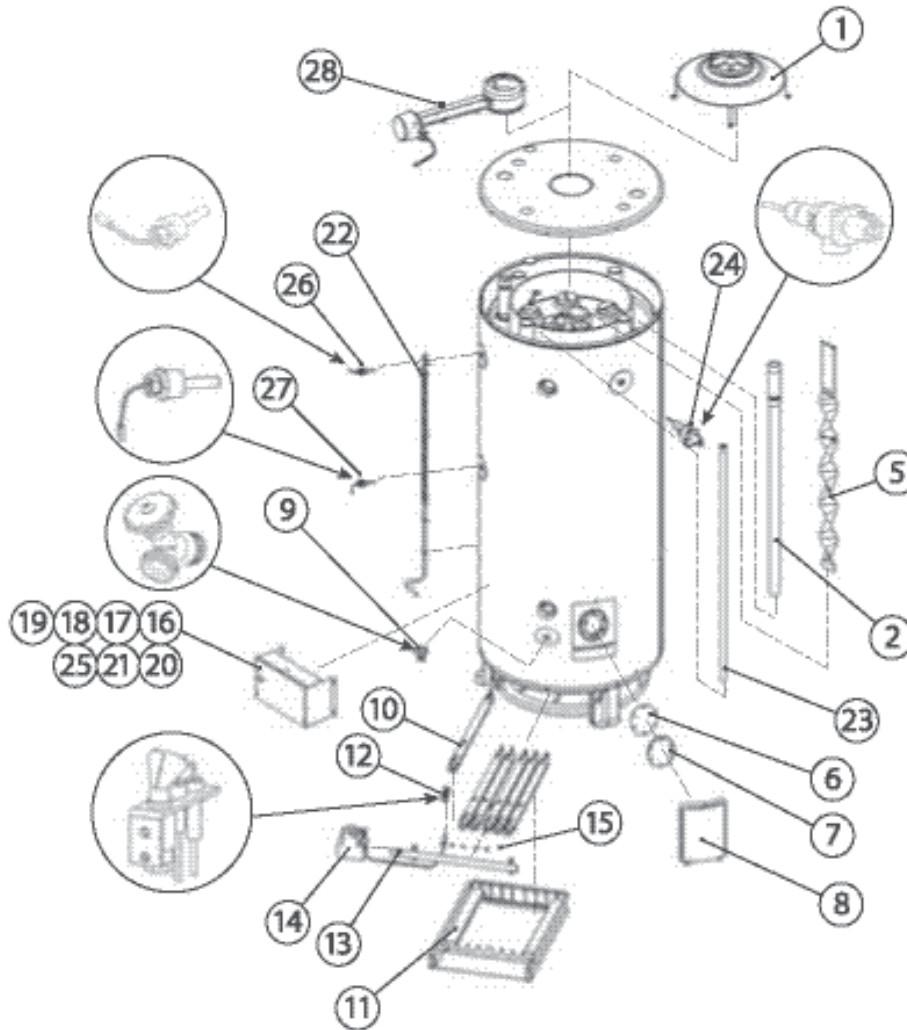
Item *No.	Description	Kit #	Qty.	List Price
1	Gas Valve (natural)	9006283005	1	\$ 243.60
2	Switch - Low Gas Pressure (natural)	9006256015	1	\$ 100.80
2	Switch - Low Gas Pressure (propane)	9006255015	1	\$ 100.80

Electric Anode Assembly - AHCG/HCG-60T120 - 100T250



Item *Number	Description	AHCG/HCG-60T120	AHCG/HCG-100T150	AHCG/HCG-100T199	AHCG/HCG-100T250	Quantity	List Price
1	Electric Anode (long)	9006246005	9006246005	9006246005	9006246005	1	\$ 389.20
2	Electric Anode (short)	9006247005	9006247005	9006247005	9006247005	1	\$ 151.40

DCG3-Series Commercial Gas Parts

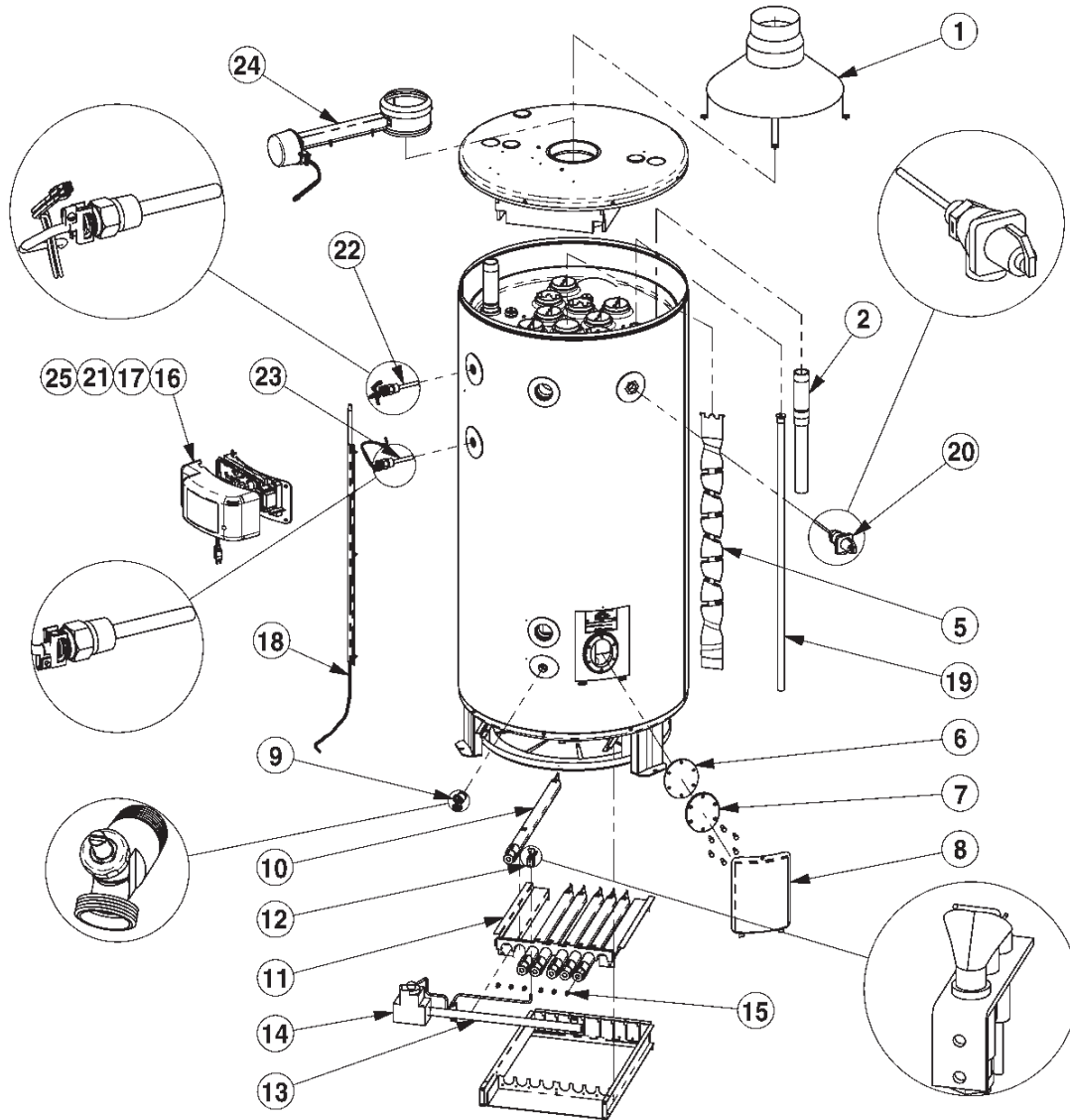


No.	Part Name and Description	No.	Part Name and Description
1	Draft Hood	15	Main Burner Orifice(s)
2	Dip Tube (top)	16	Control Box Cover
3	Dip Tube (front - optional - not pictured)	17	Transformer
4	Dip Tube (back - optional - not pictured)	18	Ignition Control Module
5	Flue Baffles	19	Thermostat Board
6	Cleanout Gasket	20	ECO Reset Board
7	Cleanout Cover	21	Control Box
8	Cleanout Cover Jacket	22	Wiring Harness
9	Drain Valve	23	Anode Rod(s)
10	Main Burner Tube(s)	24	T&P Valve
11	Burner Tray	25	Temperature Control Potentiometer
12	Pilot Burner Assembly	26	Upper Temperature Sensor / ECO
13	Main Burner Manifold	27	Lower Temperature Sensor
14	Gas Valve	28	Flue Damper

Commercial Gas Parts - Continued

Item Number	Description	Part Number	Quantity	List Price
DCG3-Series Heavy-Duty Commercial Gas-Fired Heaters				
3/4	Diptube (Optional not pictured)			
3	DCG3-100T199 & 100T270 (Front)	4710852	1	\$ 13.00
4	DCG3-100T199 & 100T270 (Back)	4710853	1	13.00
3	DCG3-75T360 & 80T399 (Front)	4710887	1	13.00
4	DCG3-75T360 & 80T399 (Back)	4710888	1	13.00
3/4	DCG3-80T199 & 75T300 (Front or Back)	4710889	1	13.00
3/4	DCG3-75T125 (Front or Back)	4710886	1	13.00
6	Cleanout Gasket	4410156	1	17.30
7	Cleanout Cover	4710854	1	19.25
9	Drain Valve	4310172	1	20.80
12	Natural Pilot/Electrode Assembly	3210569	1	53.00
12	Propane (LP) Gas Pilot/Electrode Assembly	3210570	1	53.00
14	Natural Gas Valve - Honeywell VE8304H4206 (125,000 Through 300,000 BTU Input)	3210571	1	157.00
14	Propane (LP) Gas Valve - Honeywell VE8304H4206LP (125,000 Through 300,000 BTU Input)	3210612	1	169.75
14	Natural Gas Valve - Robertshaw 7000DERHC-N-S7C (360,000 Through 400,000 BTU Input)	3210593	1	446.20
14	Propane Gas Valve - Robertshaw 7000DERHC-LP-S7C (360,000 Through 400,000 BTU Input)	3210594	1	219.70
17	Transformer	4210282	1	32.70
18	Ignition Control Module - UTEC 1003-633A Series	3210567	1	94.15
19	Thermostat Board	3201049	1	86.30
20	ECO Reset Board (Lockout Control)	3210568	1	63.25
22	Wiring Harness	4210281	1	94.25
24	T&P Valve 3/4" MPT up to 200 Mbtu	4300021	1	61.80
24	T&P Valve 1" MPT 200 to 500 Mbtu	4300111	1	97.25
25	Temp. Control Potentiometer	3201069	1	25.50
26	Upper Temperature Sensor/ECO	3210566	1	59.30
27	Lower Temperature Sensor	3210565	1	36.55
28	5" Damper - Effikal	2710037	1	430.90
28	6" Damper - Effikal	2710029	1	341.80
28	7" Damper - Effikal	2710030	1	356.10
28	8" Damper - Effikal	2710038	1	463.35
N/A	Wire Harness (Secondary)	4210283	1	2.55

DCG3-Series with Integrated Control Commercial Gas Parts



No.	Part Name and Description	No.	Part Name and Description
1	Drafthood	14	Gas Valve
2	Dip Tube (top)	15	Main Burner Orifices(s)
3	Dip Tube (front - optional, not shown)	16	Control Box Cover
4	Dip Tube (back - optional, not shown)	17	Transformer
5	Flue baffles	18	Wiring Harness
6	Cleanout Gasket	19	Anode Rod(s)
7	Cleanout Cover	20	T&P Valve
8	Cleanout Cover Jacket	21	Integrated Control CCA
9	Drain Valve	22	Upper Temperature Sensor/ECO
10	Main Burner Tube(s)	23	Lower Temperature Sensor
11	Burner Tray	24	Flue Damper
12	Pilot Burner Assembly	25	Power Cord
13	Main Burner Manifold		

Commercial Gas Parts - Continued

Item Number	Description	Part Number	Quantity	List Price
3/4	Diptube (Optional not pictured)			
3	DCG3-100T199 & 100T270 (Front)	4710852	1	\$ 13.00
4	DCG3-100T199 & 100T270 (Back)	4710853	1	13.00
3	DCG3-75T360 & 80T399 (Front)	4710887	1	13.00
4	DCG3-75T360 & 80T399 (Back)	4710888	1	13.00
3/4	DCG3-80T199 & 75T300 (Front or Back)	4710889	1	13.00
3/4	DCG3-75T125 (Front or Back)	4710886	1	13.00
6	Cleanout Gasket	4410156	1	17.30
7	Cleanout Cover	4710854	1	19.25
9	Drain Valve	4310172	1	20.80
12	Pilot Assembly-LP (PSE-49L)	60369	1	53.00
12	Pilot Assembly-NAT (PSE-49N)	60370	1	53.00
14	Natural Gas Valve - Honeywell VE8304H4206 (125,000 Through 300,000 BTU Input)	3210571	1	157.00
14	Propane (LP) Gas Valve - Honeywell VE8304H4206LP (125,000 Through 300,000 BTU Input)	3210612	1	169.75
14	Natural Gas Valve - Robertshaw 7000DERHC-N-S7C (360,000 Through 400,000 BTU Input)	3210593	1	446.20
14	Propanel Gas Valve - Robertshaw 7000DERHC-LP-S7C (360,000 Through 400,000 BTU Input)	3210594	1	219.70
16	Integrated Control Cover	60368	1	51.80
17	Transformer-40VA 120V/24V	60372	1	32.70
18	Wiring Harness	4210281	1	94.25
20	T&P Valve 3/4" MPT up to 200 Mbtu	4300021	1	61.80
20	T&P Valve 1" MPT 200 to 500 Mbtu	4300111	1	97.25
21	Integrated Control (Honeywell)	60397	1	188.70
22	Upper Temperature Sensor/ECO	60389	1	59.30
23	Lower Temperature Sensor	60390	1	36.55
24	5" Damper - Effikal	2710037	1	430.90
24	6" Damper - Effikal	2710029	1	341.80
24	7" Damper - Effikal	2710030	1	356.10
24	8" Damper - Effikal	2710038	1	463.35
25	Power Cord	60394	1	19.30
N/A	Wire Harness (Secondary)	4210283	1	2.55

Commercial Gas Parts - Continued

Description	Part Number	Quantity	List Price
-------------	-------------	----------	------------

Heavy-Duty Commercial Gas-Fired Heaters Manufactured before 1/96 DCG31-Series

Natural Gas Valve - Honeywell VR8304 P4405	3200877	1	\$ 210.65
LP Gas Valve - Honeywell VR8304 P3324	3200663	1	295.00
6" Damper - Effikal	6907265	1	397.80
8" Damper - Effikal	2700327	1	394.35
10" Damper - Effikal	2700328	1	445.80
Ignition Module - Honeywell	6907251	1	225.20
Spark Cable Assembly	3200642	1	38.35
Aquastat/Thermostat - White-Rogers 11B95-31	3200826	1	216.15
Transformer	4200534	1	31.60
Electronic Thermostat Board	3201049	1	86.30
Thermostat Board (Single Sensor) 38- & 75-Gallon/125,000 &155,000 BTU	3201068	1	71.65
Honeywell Aquastat (Older Heaters) HW L8100B	6900523	1	235.90
Hand Hole Cleanout Gasket	4410139	1	15.30
Drain Valve (Brass)	6905044	1	16.70
Natural Gas Valve-Robertshaw 7000DERHCS7 400,000-525,000 BTU	3200647	1	484.15

Commercial Gas Parts - Continued

Description	Part Number	Quantity	List Price
-------------	-------------	----------	------------

Heavy-Duty Commercial Gas-Fired Heaters Manufactured before 1/96 DCG32- Series

Ignition Module - UTEC	3200888	1	\$ 129.50
Natural Gas Valve - Honeywell VR8304P440 (125,000 through 270,000 BTU Input)	3200877	1	198.75
LP Gas Valve - Robertshaw 7100 IPER-S7CLP	3200946	1	136.60
Natural Pilot/Electrode Assembly	3200896	1	70.10
LP Pilot/Electrode Assembly	3200897	1	63.25
Aquastat/Thermostat - White-Rogers 11B95-31	3200826	1	216.15
6" Damper - Effikal	6907265	1	397.80
8" Damper - Effikal	2700327	1	394.35
10" Damper - Effikal	2700328	1	445.80
Aquastat/Thermostat - White-Rogers 11B96-33	3201067	1	218.70

Heavy-Duty Commercial Gas-Fired Heaters Manufactured after 1/96 DCG31-Series and DCG32-Series

Natural Gas Valve - Honeywell VR8304P4405 (125,000 through 270,000 BTU Input)	3200877	1	\$ 210.65
LP Gas Valve - Honeywell VR8304P4421P (125,000 through 505,000 BTU Input)	3200659	1	295.00
Natural Gas Valve - Honeywell VR8404P5046 (300,000 through 725,000 BTU Input)	3200735	1	403.75
LP Gas Valve - Honeywell VR8404P5326 (625,000 and 725,000 BTU Input)	3200890	1	405.65
6" Damper - Effikal	6907265	1	397.80
8" Damper - Effikal	2700327	1	394.35
10" Damper - Effikal	2700328	1	445.80
Ignition Module - UTEC	3200888	1	129.50
Pilot Shield	3100521	1	8.40
Natural Pilot/Electrode Assembly	3200896	1	70.10
LP Pilot/Electrode Assembly	3200897	1	63.25

Commercial Gas Parts - Continued

Description	Part Number	Quantity	List Price
-------------	-------------	----------	------------

Heavy-Duty Commercial Gas-Fired Heaters Manufactured after 1/96 DCG31-Series and DCG32-Series

Pilot Tube 1/4" x 33"	3700006	1	\$ 3.75
Wiring Harness (Upper)	4200735	1	22.00
Wiring Harness (Lower)	4200736	1	17.90
Transformer	4200732	1	28.15
Upper Thermostat Sensor	3200886	1	43.65
Lower Thermostat Sensor with ECO	3200887	1	65.75
Thermostat Board (Single Sensor)	3201068	1	71.65
Thermostat Board (Double Sensor)	3201049	1	86.30
Potentiometer - Honeywell 6K Ohm	3201069	1	25.50
Potentiometer Knob	4900020	1	3.40
Round Hand Hole Cleanout Gasket	4400070	1	5.80
Oval Cleanout Gasket	4410139	1	15.30
Drain Valve (Brass)	6905044	1	16.70
T&P Valve 3/4" MPT up to 200 MBtu	4300021	1	61.80
T&P Valve 1" FPT 200 to 500 MBtu	4300234	1	97.50

Commercial Electric Parts

Description	Part Number	Quantity	List Price
LDCE 170°F Surface Thermostat with High Limit for both Elements Simultaneous and Lower Element 3-Phase Non-Simultaneous.	040836-000	1	\$ 21.40
LDCE 170°F Surface Thermostat with High Limit for Upper Element Non-Simultaneous Operation.	040832-000	1	22.50
LDCE 170°F Surface Thermostat for Lower Element 1-Phase Non-Simultaneous.	040834-000	1	10.35
ITCE Immersion Thermostat	4200721	1	99.65
ITCE Dial for Immersion Thermostat	4200720	1	7.20
ITCE Immersion High Limit Switch	4200722	1	184.55
ITCE & STCE Surface High Limit Switch	3210195	1	11.45
STCE Surface Thermostat without High Limit	3210196	1	14.45
Transformer-Multitap 208/230/460 to 115			
50 VA 3 & 6 Element Heaters	4210114	1	153.65
75 VA 9 Element Heaters	4210118	1	173.60
3/4" Male T&P Valve	4300160	1	21.30
3/4" Female T&P Valve	4300231	1	67.35
Fuse Class "G" 3 amp	4210109	1	14.45
Fuse Class "G" 30 amp	4210110	1	23.20
Fuse Class "G" 35 amp	4210111	1	33.55
Fuse Class "G" 40 amp	6902077	1	14.05
Fuse Class "G" 50 amp	4200717	1	14.90
Fuse Class "J" 30 amp	4200718	1	32.45
Fuse Class "J" 40 amp	6902078	1	56.15
Fuse Class "J" 50 amp	4200719	1	56.15
Contactors (Magnetic) & Coils	CALL PRODUCT SERVICE 1-800-456-9805		

Elements - Incoloy Screw-In

WATTS	VOLTS				Quantity	List Price
	208	240	277	480		
Part Numbers**						
2000	3300161	3300167	3300167	NA	1	\$ 24.90
3000	3300162	3300168	3300168	3300186	1	28.85
4000	3300163	3300169	3300169	3300187	1	25.50
4500	3300164	3300170	3300170	3300188	1	30.40
5000	3300165	3300171	3300171	3300189	1	39.10
6000	3300166	3300172	3300172	3300190	1	39.10

** Order one gasket for each element Part #4400032 - **SEE PAGE 6**

Commercial Electric Parts - Continued

Commercial Electric Conversion Kits

Description		Part Number	Kit Number	Quantity	List Price
3-Elements	6-KW Input @ 208-VOLTS	6910731	9003335005	1	\$ 149.80
3-Elements	6-KW Input @ 240-VOLTS	6910732	9003348005	1	161.80
3-Elements	9-KW Input @ 240-VOLTS	6910734	9003349005	1	185.60
3-Elements	9-KW Input @ 480-VOLTS	6910735	9003364005	1	192.20
3-Elements	12-KW Input @ 208-VOLTS	6910736	9003337005	1	216.00
3-Elements	12-KW Input @ 240-VOLTS	6910737	9003350005	1	190.80
3-Elements	12-KW Input @ 480-VOLTS	6910738	9003365005	1	234.60
3-Elements	13.5-KW Input @ 208-VOLTS	6910739	9003333005	1	216.00
3-Elements	13.5-KW Input @ 240-VOLTS	6910740	9003345005	1	169.60
3-Elements	13.5-KW Input @ 480-VOLTS	6910741	9003360005	1	234.60
3-Elements	15-KW Input @ 208-VOLTS	6910742	9003334005	1	216.00
3-Elements	15-KW Input @ 240-VOLTS	6910743	9003346005	1	201.40
3-Elements	15-KW Input @ 480-VOLTS	6910744	9003361005	1	228.00
3-Elements	18-KW Input @ 240-VOLTS	6910745	9003347005	1	201.40
3-Elements	18-KW Input @ 480-VOLTS	6910746	9003362005	1	228.00
6-Elements	18-KW Input @ 208-VOLTS	6910747	9003340005	1	422.80
6-Elements	18-KW Input @ 240-VOLTS	6910748	9003354005	1	360.60
6-Elements	18-KW Input @ 480-VOLTS	6910749	9003369005	1	375.00
6-Elements	24-KW Input @ 208-VOLTS	6910750	9003341005	1	422.80
6-Elements	24-KW Input @ 240-VOLTS	6910751	9003355005	1	373.80
6-Elements	24-KW Input @ 480-VOLTS	6910752	9003370005	1	459.80
6-Elements	27-KW Input @ 208-VOLTS	6910753	9003338005	1	422.80
6-Elements	27-KW Input @ 240-VOLTS	6910754	9003351005	1	331.40
6-Elements	27-KW Input @ 480-VOLTS	6910755	9003366005	1	459.80
6-Elements	30-KW Input @ 208-VOLTS	6910756	9003339005	1	422.80
6-Elements	30-KW Input @ 240-VOLTS	6910757	9003352005	1	392.40
6-Elements	30-KW Input @ 480-VOLTS	6910758	9003367005	1	446.60
6-Elements	36-KW Input @ 240-VOLTS	6910759	9003353005	1	392.40
6-Elements	36-KW Input @ 480-VOLTS	6910760	9003368005	1	446.60
9-Elements	36-KW Input @ 208-VOLTS	6910761	9003344005	1	628.20
9-Elements	36-KW Input @ 240-VOLTS	6910762	9003359005	1	556.60
9-Elements	36-KW Input @ 480-VOLTS	6910763	9003374005	1	683.80
9-Elements	40.5-KW Input @ 208-VOLTS	6910764	9003342005	1	628.20
9-Elements	40.5-KW Input @ 240-VOLTS	6910765	9003356005	1	491.60
9-Elements	40.5-KW Input @ 480-VOLTS	6910766	9003371005	1	684.20
9-Elements	45-KW Input @ 208-VOLTS	6910767	9003343005	1	628.20
9-Elements	45-KW Input @ 240-VOLTS	6910768	9003357005	1	583.20
9-Elements	45-KW Input @ 480-VOLTS	6910769	9003372005	1	663.80
9-Elements	54-KW Input @ 240-VOLTS	6910770	9003358005	1	584.40
9-Elements	54-KW Input @ 480-VOLTS	6910771	9003373005	1	663.80

Numerical Parts/Price Index

Part Number	List Price	Page #	Part Number	List Price	Page #	Part Number	List Price	Page #
60368	\$ 51.80	31	3200820	\$ 358.75	24	3300161	\$ 24.90	35
60369	53.00	31	3200826	216.15	32, 33	3300162	28.85	35
60370	53.00	31	3200877	210.65	32, 33	3300163	25.50	35
60372	32.70	31	3200886	43.65	34	3300164	30.40	35
60389	59.30	31	3200887	65.75	34	3300165	39.10	35
60390	36.55	31	3200888	129.50	33	3300166	39.10	35
60394	19.30	31	3200890	405.65	33	3300167	24.90	35
60397	188.70	31	3200896	70.10	33	3300168	28.85	35
2700327	394.35	32, 33	3200897	63.25	33	3300169	25.50	35
2700328	445.80	32, 33	3200898	23.40	20	3300170	30.40	35
2710020	1.80	14	3200946	136.60	33	3300171	39.10	35
2710029	341.80	29, 31	3201009	164.50	12	3300172	39.10	35
2710030	356.10	29, 31	3201049	86.35	29,32,34	3300186	28.85	35
2710037	430.900	29, 31	3201067	218.70	33	3300187	25.50	35
2710038	463.35	29, 31	3201068	71.65	32, 34	3300188	30.40	35
3000288	326.40	14	3201069	25.50	29, 34	3300189	39.10	35
3001644	23.40	20	3210159	23.40	20	3300190	39.10	35
3001645	23.40	20	3210160	23.40	20	3310351	49.90	12
3002806	61.90	20	3210195	11.45	35	3700006	3.75	34
3002807	61.90	20	3210196	14.45	35	4200534	31.60	32
3100521	8.40	33	3210392	28.75	12	4200717	14.90	35
040832-000	22.50	35	3210545	32.10	14	4200718	32.45	35
040836-000	21.40	35	3210546	32.10	14	4200719	56.15	35
040834-000	10.35	35	3210565	36.55	29	4200720	7.20	35
3200293	76.80	24	3210566	59.30	29	4200721	99.65	35
3200480	123.50	14	3210567	94.15	29	4200722	184.55	35
3200481	52.90	14	3210568	63.25	29	4200732	28.15	34
3200482	44.10	14	3210569	53.00	29	4200735	22.00	34
3200554	68.40	24	3210570	53.00	29	4200736	17.90	34
3200555	68.40	24	3210571	157.00	29, 31	4210109	14.45	35
3200583	23.40	20	3210583	32.10	14	4210110	23.20	35
3200612	23.40	20	3210584	32.10	14	4210111	33.55	35
3200642	38.35	32	3210585	5.40	14	4210114	153.65	35
3200647	484.15	32	3210593	446.20	29, 31	4210118	173.60	35
3200659	295.00	33	3210594	219.70	29, 31	4210281	94.25	29, 31
3200663	295.00	32	3210600	32.10	14	4210282	32.70	29
3200714	56.40	24	3210601	32.10	14	4210283	2.55	29, 31
3200735	403.75	33	3210612	169.75	29, 31	4300021	61.80	29, 31,34
3200761	44.10	14	6910916	47.10	16	4300111	97.25	29, 31
3200803	345.90	12	3210681	13.10	16	4300160	21.30	35
3200819	232.20	24	3210682	13.10	16	4300231	67.35	35

Numerical Parts/Price Index

Part Number	List Price	Page #	Part Number	List Price	Page #	Part Number	List Price	Page #
4300234	\$ 97.50	34	6900383	12.60	7	6900846	16.00	7
4310027	252.60	22	6900384	\$ 12.84	7	6900847	\$ 23.00	7
4310172	20.80	29, 31	6900386	13.40	7	6900854	11.90	5
4400070	5.80	34	6900397	42.80		6900855	13.40	9
4410116	3.60	12	6900399	41.00	6	6900856	16.60	10
4410139	15.30	32, 34	6900523	235.90	24, 32	6900857	16.00	10
4410147	0.50	22	6900735	59.00	8	6900858	10.60	10
4410156	17.30	29, 31	6900740	52.40	6	6901688	31.75	12
4410163	11.80	12	6900808	14.60	9	6901704	231.00	11
4700079	40.60	5	6900809	13.60	8	6901705	231.00	11, 14
4700375	47.55	5	6900810	11.20	10	6901706	123.45	11
4710176	20.45	5	6900811	8.80	9	6901707	123.45	11, 14
4710180	23.85	5	6900813	6.30	8	6901708	123.45	11
4710182	26.00	5	6900814	11.20	9	6901709	123.45	11
4710183	39.10	5	6900816	15.20	10	6901710	231.00	12
4710184	40.35	5	6900817	52.40	9	6901800	51.95	23
4710520	20.40	5	6900818	33.55	9	6902077	14.05	35
4710574	70.80	5	6900819	12.40	8	6902078	56.15	35
4710606	14.45	12	6900820	21.80	5	6903768	51.95	22, 23
186642-000	175.65	22	6900821	29.60	9	6903769	37.50	22
186643-000	164.00	22	6900822	51.30	9	6903770	37.50	22
186641-000	153.90	23	6900823	9.20	9	6903771	569.40	22
4710835	230.95	22	6900824	12.00	11	6903772	569.40	22
4710838	127.45	22	6900825	26.20	11	6903773	1,034.20	22
4710852	13.00	29, 31	6900826	22.80	11	6903774	1,034.20	22
4710853	13.00	29, 31	6900828	17.80	10	6903775	247.90	22
4710854	19.25	29, 31	6900829	21.00	10	6903777	89.45	22
4710869	12.15	14	6900830	16.60	5	6903778	32.45	22
4710886	13.00	29, 31	6900832	7.50	8	6903779	6.75	22
4710887	13.00	29, 31	6900833	46.40	6	6903780	512.75	22
4710888	13.00	29, 31	6900834	47.00	6	6903781	19.35	22
4710889	13.00	29, 31	6900835	36.60	6	4710798	12.50	22
4810325	32.40	5	6900836	45.80	6	6903783	65.05	22
4810326	38.40	5	6900837	37.80	6	6903786	75.50	22
4810327	53.40	5	6900838	12.80	6	6903789	71.30	22
4810328	54.60	5	6900839	13.40	6	6903790	1,034.20	22
4900020	3.40	34	6900840	12.80	7	6903791	234.45	22
6900397	42.80	6	6900841	12.80	7	6905033	175.65	22, 23
6900150	45.55	20	6900842	13.00	7	6905037	504.10	23
6900161	45.55	20	6900843	13.00	7	6905047	97.00	9
6900374	12.40	6	6900844	13.40	7	6905048	123.50	12, 14
6900380	12.80	6	6900845	16.60	7	6905049	116.20	9

Numerical Parts/Price Index

Part Number	List Price	Page #	Part Number	List Price	Page #	Part Number	List Price	Page #
6905050	21.30	22, 23	6910430	13.60	18	6910759	392.40	36
6905052	\$ 89.45	22, 23	6910547	\$ 188.65	22	6910760	\$ 446.60	36
6905053	89.45	23	6910554	231.10	19	6910761	628.20	36
6905055	65.05	22, 23	6910555	123.50	19	6910762	556.60	36
6905058	123.00	23	6910557	134.70	19	6910763	683.80	36
6905059	120.45	23	6910558	231.10	19	6910764	628.20	36
6907251	225.20	32	6910559	123.50	19	6910765	491.60	36
6907265	397.80	32, 33	6910560	134.70	19	6910766	684.20	36
6907291	11.45	24	6910561	45.60	18, 19	6910767	628.20	36
6907292	14.80	24	6910604	170.00	9	6910768	583.20	36
6907293	29.20	24				6910769	663.80	36
6907294	31.15	24	6910610	27.75	18	6910770	584.40	36
6907295	11.45	24	6910613	280.35	22	6910771	663.80	36
6907302	24.55	22, 23	3710170	347.95	22	3810018	336.75	14
6907303	11.45	23	6910731	149.80	36	3810019	319.45	14
6907304	19.50	22, 23	6910732	161.80	36	3810020	319.45	14
6907305	11.45	22, 23	6910734	185.60	36	3810021	319.45	14
6907306	11.45	22, 23	6910735	192.20	36	3810022	319.45	14
6907307	11.45	22, 23	6910736	216.00	36	6910777	78.50	14
6907308	124.30	23	6910737	190.80	36	6910778	85.50	14
6907309	124.30	23	6910738	234.60	36	6910779	78.50	14
6907310	146.45	23	6910739	216.00	36	6910780	75.75	14
6907312	569.40	23	6910740	169.60	36	6910781	76.20	14
6907313	37.50	23	6910741	234.60	36	6910782	246.00	14
6907314	14.80	24	6910742	216.00	36	6910783	246.00	14
6907316	16.35	22, 23	6910743	201.40	36	6910784	22.50	14
6907317	24.55	22, 23	6910744	228.00	36	6910785	22.50	14
6907319	17.90	22, 23	6910745	201.40	36	6910794	104.40	18
6907320	32.45	23	6910746	228.00	36	6910795	103.80	18
6907342	37.55	23	6910747	422.80	36	6910796	103.60	18
6907343	125.25	23	6910748	360.60	36	6910797	111.50	18
6907345	27.55	22	6910749	375.00	36	6910800	71.20	18
6907347	124.30	22	6910750	422.80	36	6910801	64.80	18
6907348	19.85	22	6910751	373.80	36	6910802	64.60	18
6907349	111.60	22	6910752	459.80	36	6910803	167.00	18
6907350	175.65	22	6910753	422.80	36	6910804	129.60	18
6910424	25.85	14, 18	6910754	331.40	36	6910805	129.65	18
6910426	12.00	18	6910755	459.80	34	6910806	7.20	18
6910427	38.00	18, 19	6910756	422.80	36	6910826	167.80	18
6910428	7.20	18	6910757	392.40	36	6910827	290.00	18
6910429	123.50	19	6910758	446.60	36	6910828	167.80	18

Numerical Parts/Price Index

Part Number	List Price	Page #	Part Number	List Price	Page #	Part Number	List Price	Page #
6910829	289.90	18	9004238215	85.20	25	9006282015	\$ 80.80	25
6910830	\$ 186.00	18	9004535205	\$ 214.20	27	9006283005	243.60	27
6910831	179.20	18	9005903205	124.80	25	9006281015	80.80	25
6910872	124.30	22	9006101205	120.00	26	9006285005	562.00	26
6910903	105.90	12	9006106205	72.00	26	9006286005	562.00	26
6910904	105.90	12	9006240005	258.00	25	9006288015	80.80	25
6910905	105.90	12	9006242015	116.60	25	9006287015	80.80	25
6910910	313.10	16	9006246005	389.20	27	9006289015	80.80	25
6910911	313.10	16	9006247005	151.40	27	9006838005	535.40	25
6910912	95.85	16	9006255015	100.80	27	9006839005	535.40	25
6910913	95.85	16	9006256015	100.80	27	9006840005	535.40	25
6910914	95.85	16	9006272005	558.20	26	9006841005	535.40	25
6910915	95.55	16	9006273005	577.80	26	9006842005	535.40	25
6910917	212.00	16	9006274005	1,110.40	26	9006843005	535.40	25
6910918	217.15	16	9006275005	269.40	26	9006844005	535.40	25
6911088	101.95	22, 23	9006277005	269.40	26	9006845005	535.40	25
6911089	127.45	22, 23	9006279005	80.80	25			
6911096	16.60	6	9006280015	80.80	25			



WARRANTY & SERVICE

**500 Princeton Road (FEDEX, UPS)
Johnson City, TN 37601-2030
P.O. Box 1597 (Mailing)
Johnson City, TN 37601-2030
(800) 999-9515
FAX (800) 999-5210**

ORDER ENTRY & SALES

**500 Princeton Road (FEDEX, UPS)
Johnson City, TN 37601-2030
P.O. Box 4056 (Mailing)
Johnson City, TN 37602-4056
(800) 937-1037
FAX (800) 581-7224**